

ENERGIZER NH12-800 (HR03)

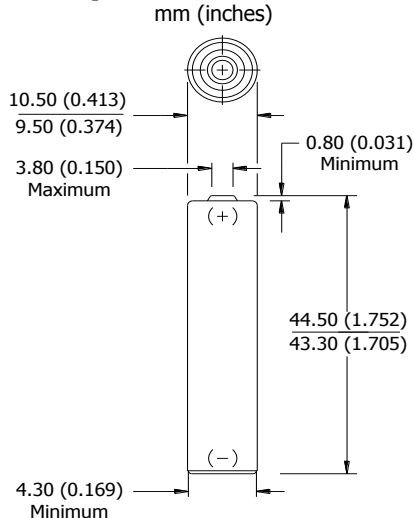
AAA



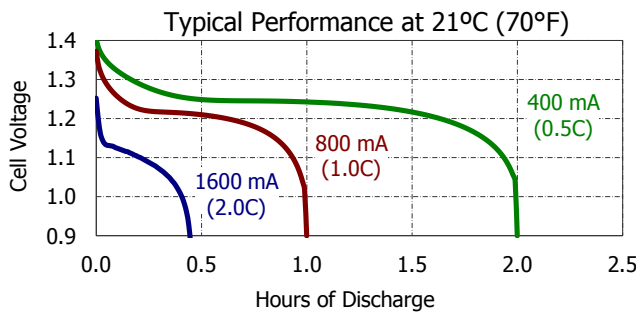
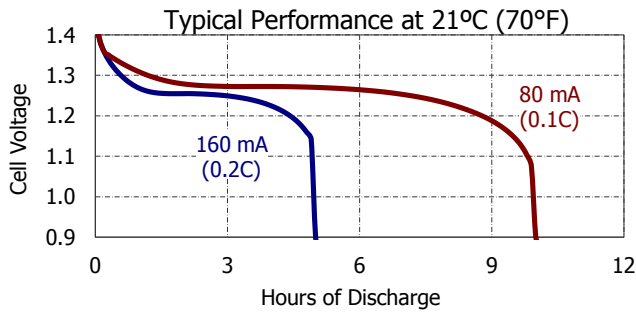
Specifications

Classification: Rechargeable
Chemical System: Nickel-Metal Hydride (NiMH)
Designation: ANSI-1.2H1 IEC- HR03
Nominal Voltage: 1.2 Volts
Rated Capacity: 800 mAh (to 1.0 volts)
 Based on 160 mA (0.2C) discharge rate
Typical Weight: 12 grams (0.42 oz.)
Typical Volume: 3.8 cubic centimeters
Jacket: Plastic Label

Industry Standard Dimensions



Typical Discharge Characteristics



Internal Resistance:

The internal resistance of the cell varies with state of charge, as follows:

Cell Charged	Cell 1/2 Discharged
100 milliohms	120 milliohms
(tolerance of ±20% applies to above values)	

AC Impedance (No Load):

The impedance of the charged cell varies with frequency, as follows:

Frequency (Hz)	Impedance (milliohms) (Charged Cell)
1000	35

Above values based on AC current set at 1.0 ampere. Value tolerances are ±20%.

Operating and Storage Temperatures:

To maintain maximum performance, observe the following general guidelines regarding environmental conditions.

Charge: 0°C to 40°C
 Discharge: 0°C to 50°C
 Storage: -20°C to 30°C
 Humidity: 65±20%

Operating at extreme temperatures, will significantly impact battery cycle life.

Important Notice

This datasheet contains typical information specific to products manufactured at the time of its publication. **Contents herein do not constitute a warranty and are for reference only.**