

Samlevejledning / Assembly guide

JAZZ / PULZ

El-justérbar / Electrically adjustable

til enkelte borde / for single tables

A
X 4



B
X 12



C
X 4



D
X 4



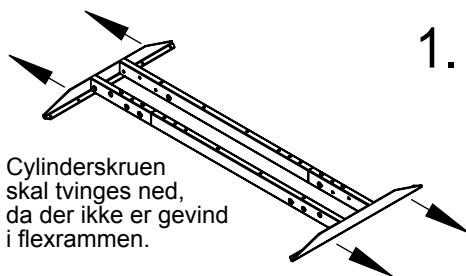
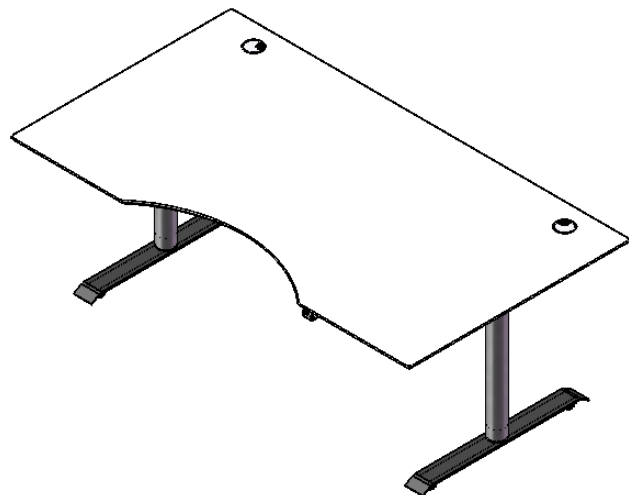
E
X 12



F
X 8



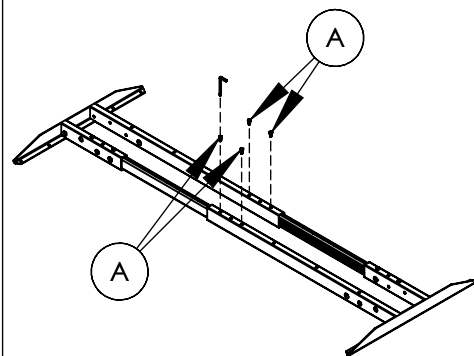
G
X 12



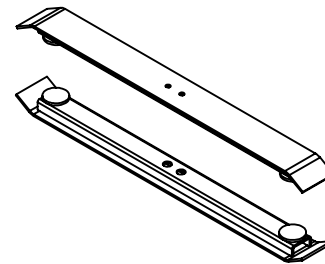
1.

Cylinderskruen skal tvinges ned, da der ikke er gevind i flexrammen.

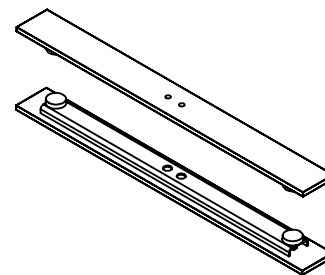
The cylinder screw must be forced down, as there are no threads in the flexframe.



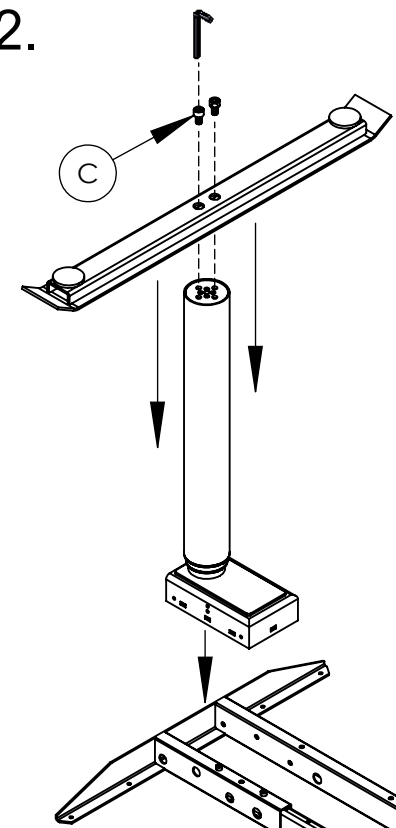
JAZZ Fodpak



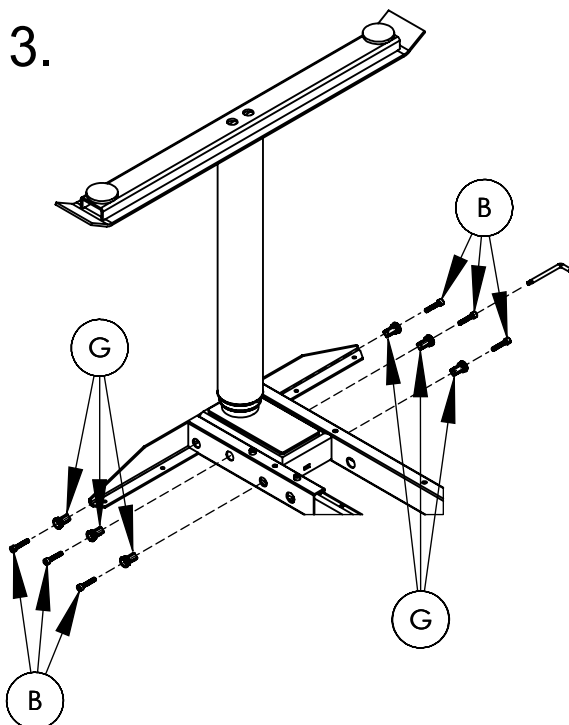
PULZ Fodpak



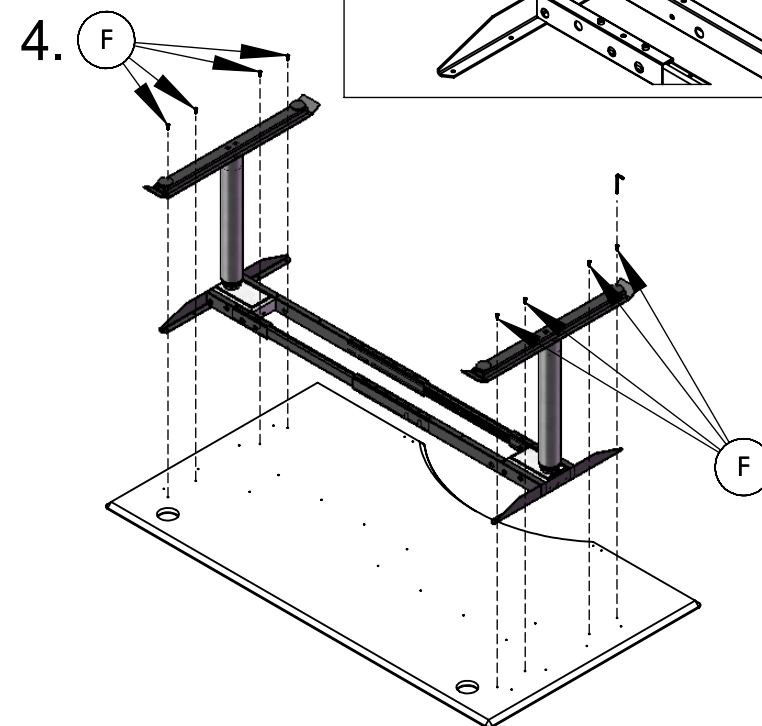
2.



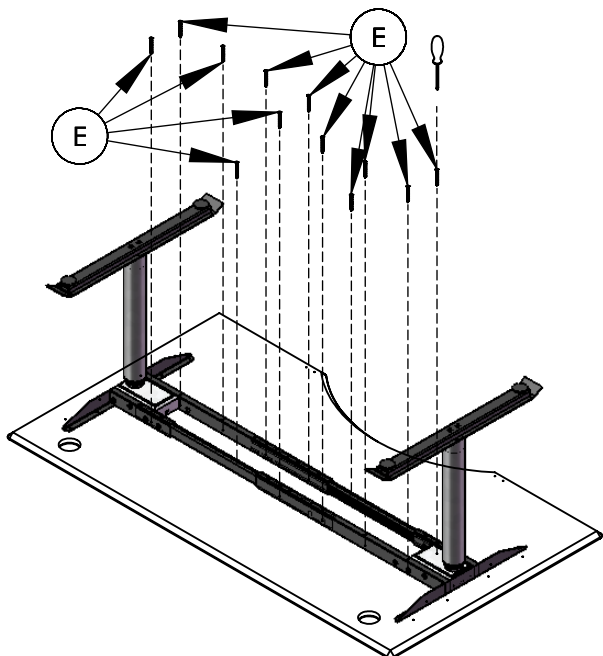
3.



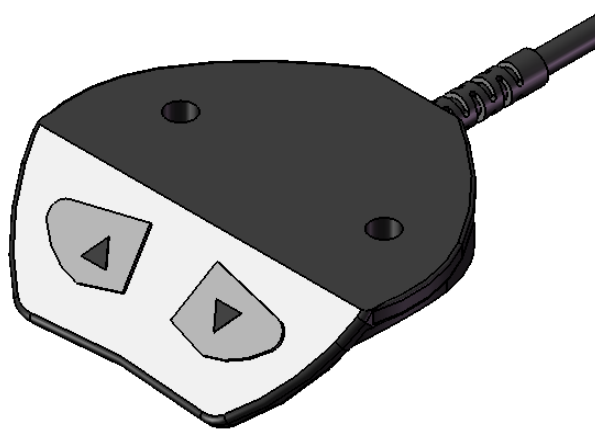
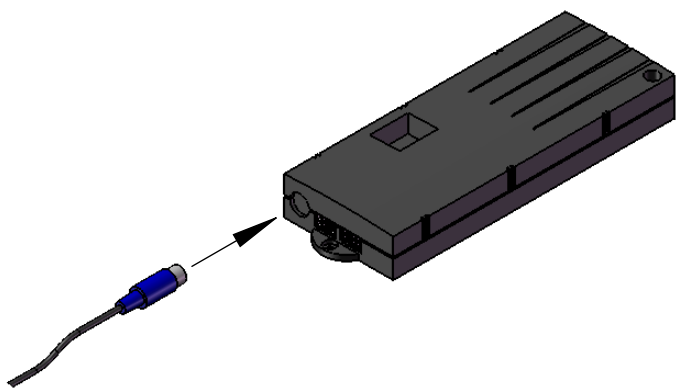
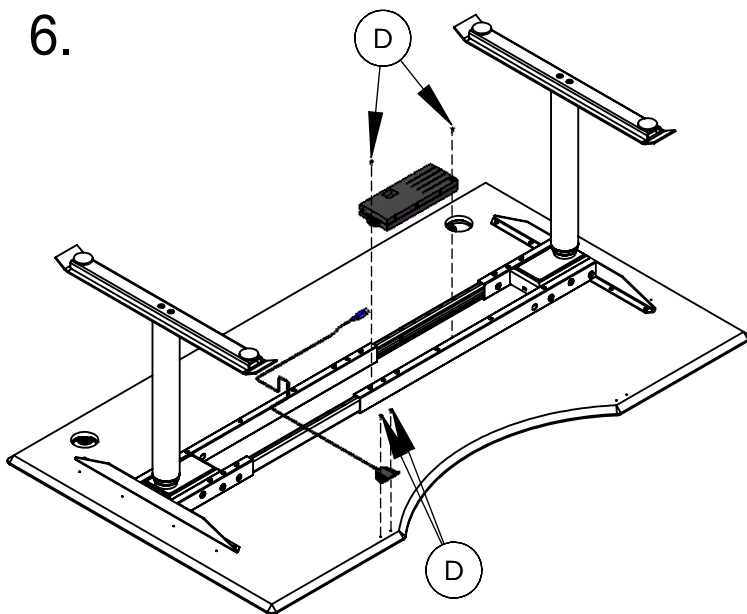
4.



5.



6.



VIGTIGT

Nulstilling af el-bord. Skal foretages inden bordet tages i brug.

1: Tryk ned-tasten ind. hvorved bordet kører ned.

Fortsæt med at trykke, indtil skrivebordet har nået den laveste position (programmeret skrivebords position)

2: Tryk på ned-tasten igen og fortsæt med at trykke.

Efter ca 5 sekunder, vil skrivebordet langsomt bevæge sig længere ned, indtil den når den absolut laveste mulige position.

3: Slip ned-tasten. Det elektriske højdejusterbare skrivebord, kan nu anvendes normalt.

IMPORTANT

The electric height-adjustable desk has to be reset before you start using it.

1: Press the **desktop down** key.

Keep pressing it until the desktop has reached the lowest position (programmed desktop position).

2: Press the **desktop down** key again and keep pressing it.

After about 5 seconds, the desktop will slowly move further down until it reaches the absolutely lowest desktop position possible.

3: Release the **desktop down** key. The electric height-adjustable desk can now be used normally.