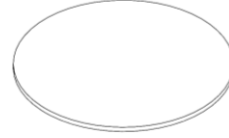




PLAR80.01  
PLAR80.13



PLAR100.01  
PLAR100.13



PLAC80X80.01  
PLAC80X80.13

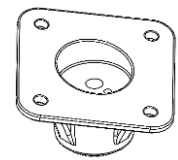


PLAC80X120.01  
PLAC80X120.13



PIED719.23

(A)



INJ0275.01

(B)



ACCVISM8X30U

(C)



ACCANILAL8

(D)



ACCCL4

(E)



ACCVISM6X16

(F)



ACCANILM8

(G)



ACCCL5

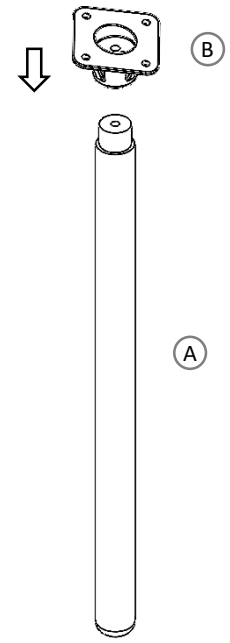
(H)



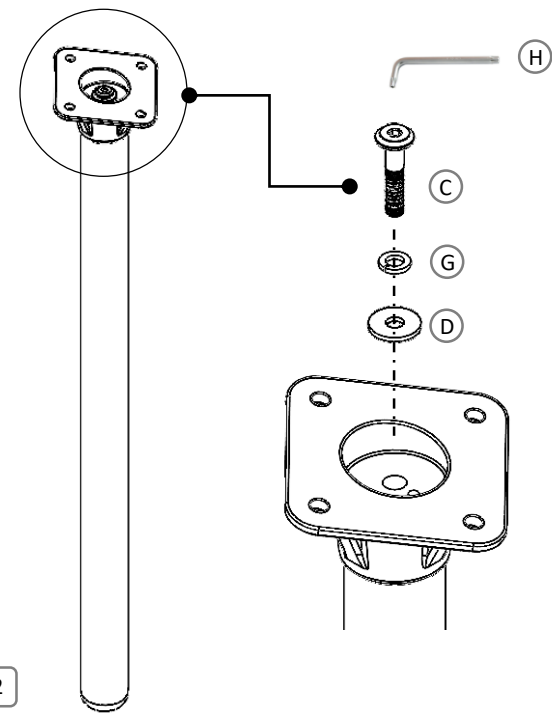
ACCBAT24

(I)

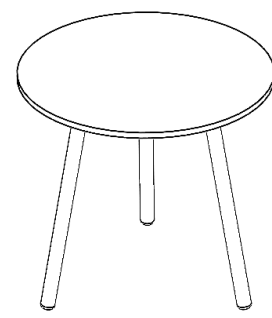
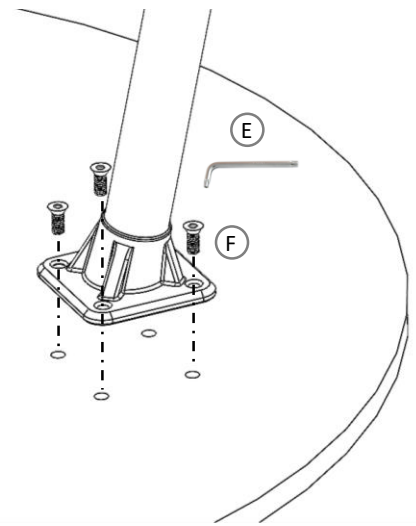
1



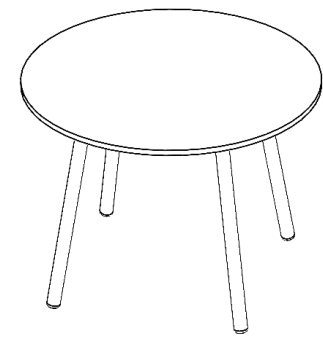
2



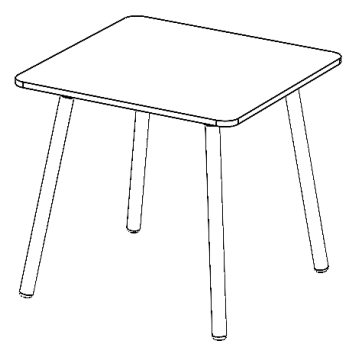
3



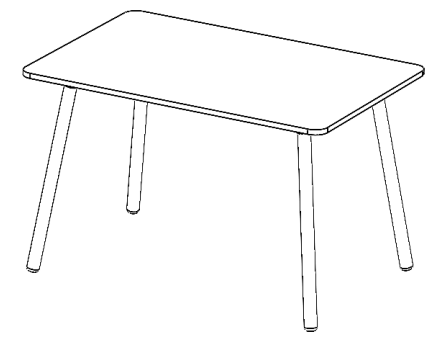
TRPR80.23.XX



TRPR100.23.XX



TRPC80X80.23.XX



TRPC80X120.23.XX