

ALUMINOR

LUMINAIRES

COMPANY

Item reference

Color

Source

Socket

Energy Class

Power consumption (W)

Lumen (lm)

Kelvin color temperature

Life time (hours)

CRI

Luminous flux (lm/W)

Class of protection I/II/III

Base (mm)

Total height (mm)

Reflector (mm)

Weight product sole (kg)

Weight product packed (kg)

Switch/dimmer

Barcode (EAN)

Box (mm)

Standards

Material

Warrenty

Origin

Additional information

NB

ALUMINOR

852 CD 15 LA ROSEYRE 06390 CONTES France

T 04 93 91 60 10 F 04 93 91 60 11

mail: contact@aluminor.fr

site: www.aluminor.fr

ALUMINOR

SUCCESS N

black

Led

integrated Led module

A+

10W

500

3000-5500

25000

80

50

III

Ø 190

450

360 x 52

1,27

1,68

sensitive dimmer on the base

3131130361727

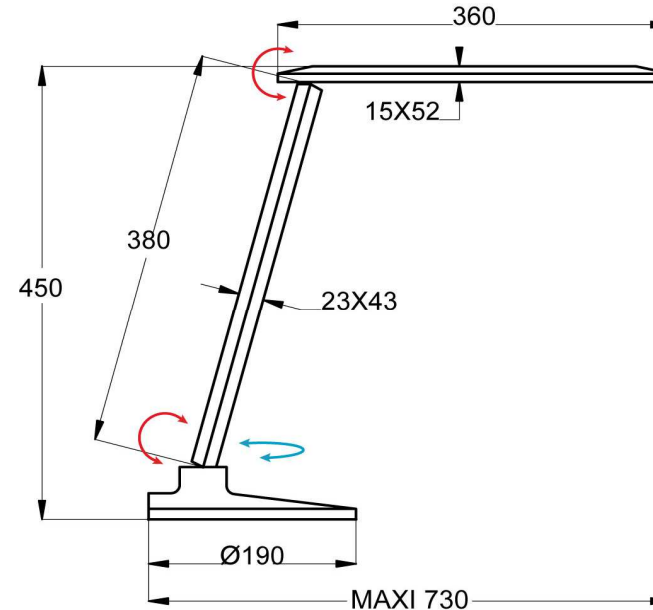
460 x 90 x 195

CE

steel, aluminium, ABS

2 years

China



180° adjustable and foldable reflector. The articulated arm is orientable on 3 axis and turns 360°.

Digital display with clock, alarm, date, temperature. 5 brightness degrees. 3 color temperatures.

USB output.

This lamp is equipped with integrated Leds which can't be changed.

