

ALUMINOR

LUMINAIRES

COMPANY

Item reference

Color

Source

Socket

Energy Class

Power consumption (W)

Lumen (lm)

Kelvin color temperature

Life time (hours)

CRI

Luminous flux (lm/W)

Class of protection I/II/III

Base (mm)

Total height (mm)

Reflector (mm)

Weight product sole (kg)

Weight product packed (kg)

Switch/dimmer

Barcode (EAN)

Box (mm)

Standards

Material

Warrenty

Origin

Additional information

NB

ALUMINOR

852 CD 15 LA ROSEYRE 06390 CONTES France

T 04 93 91 60 10 F 04 93 91 60 11

mail: contact@aluminor.fr

site: www.aluminor.fr

ALUMINOR

ZIG B

white

Led

integrated Led module

A+

10W

520

2700-6500

30000

88

52

II

Ø 200

max. 595

385 x 47

1,51

2,00

touch switches with dimmer

3131130362878

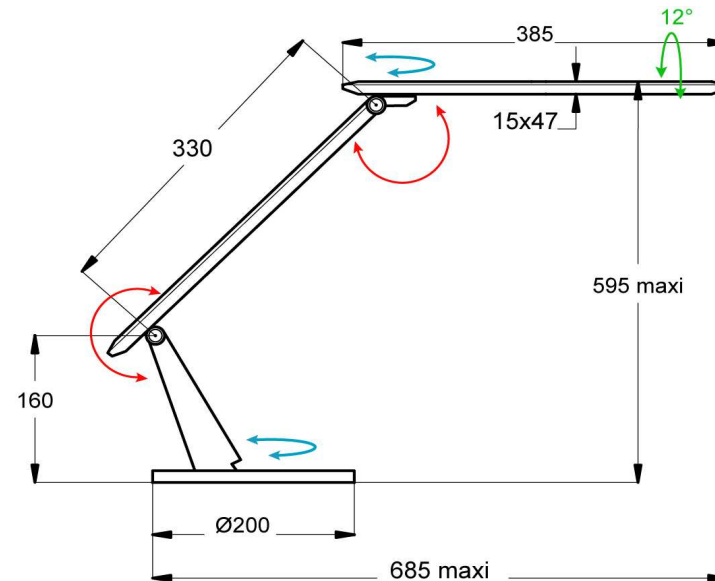
550 x 85 x 220

CE

steel, aluminium, ABS

2 years

China



Orientable on 5 axes with swivelling arm and foldable rotating lamp head. Weighted base.

4 preprogrammed ambient lights (more or less warm light). Programmable automatic stop function

(if set, the lamp turns off within 4 hours). USB output for loading Iphone or Ipad etc.

This lamp is equipped with integrated Leds which can't be changed.

