



Black architect lamp / 66 cm-arm

8 W E27 LED bulb

Novelty 2016
Equipped with a 8 W LED bulb



66 cm-
articulated
arm

Sold on clamp or base + 4
additional fixing systems in
option

LED LIGHTING

Low consumption and performing

LED Success is fitted with a performing LED bulb of 750 Lumens. Low electric consumption. It has a ventilated shade and is recovered inside with an enamelled painting for a better reflection of the lighting. Source's lifetime: 30 000 hours.

Qualitative and economic lighting !

DESIGN

A timeless and robust lamp

Lamps from the range SUCCESS are timeless architect lamps with a universal design that has been attracting for decades. Success has the particularity to have the inferior arm made with 3 metallic tubes to ensure robustness.

ERGONOMICS

And easy handling

Very easy to handle with the rotating double arm equipped with balancing springs that facilitate the positioning in any directions.



A triple tubes-arm

The inferior part of the arm is equipped with 3 tubes that give to this lamp great solidity.



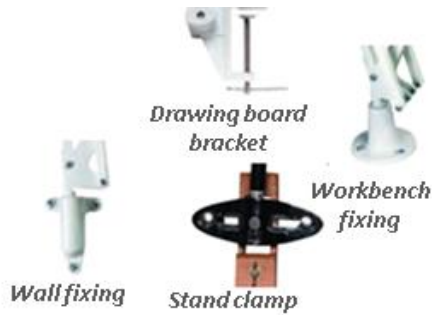
*“SUCCESS 66 : the very easy to handle classic architect lamp.
Compact size for small work plans or student desks”*

Technical information

2 standards fixing systems
55mm width clamp or 3 kg-base



4 optional fixing systems



SWITCH

On the head: ON / OFF

MUVEMENTS

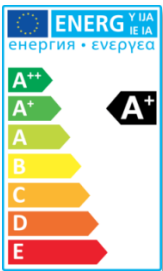
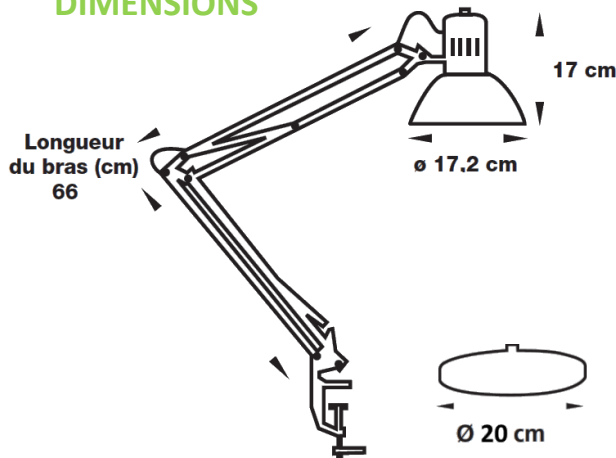
Rotating articulated arm
Head adjustable

MATERIALS

Steel epoxy painting
Recyclable aluminium

750 Lumens

DIMENSIONS



SOURCE



1 LED bulb
8W E27 (fitted)

Lifetime: 30 years

DIRECTIVES

CE RoHS



| SAP no. | Colour and fixing device | Energy consumption KW/1000 h | Lm | Lm/W | Colour T° | CRI | Source's lifetime* | Warranty | Origin | Net weight | EAN code |
|---------|--------------------------|------------------------------|-----|------|-----------|-----|--------------------|----------|--------|------------|---------------|
| NC | Black Base | 8 | 750 | 94 | 3000 K | >80 | 30 years | 1 year | | 4,2 kg | 3595560020706 |
| NC | Black Clamp | 8 | 750 | 94 | 3000 K | >80 | 30 years | 1 year | | 1,40 kg | 3595560015306 |

* Calculated on the basis of a 1000 hours use of the lamp per year