

Pedestals Cargo technical specification



.mdd

MDD has a leading position among manufacturers of office furniture with many awards that prove quality and continuously increase demand for it's products.

The realities of today`s market require constant quality improvement at all levels of modern organization. This applies in particular to customer service, marketing, quality of products and also to quality of processes within the company. Partnership relations among employees and with business partners form a base of economic growth and success of the company.

Constant investments in innovative machinery park, optimization of management systems and an expansion of production halls allow to minimize the lead times for the product of the highest quality.

More than twenty years of experience in office furniture industry come with reference from a long list of companies and institutions to show their appreciation for an efficient and comprehensive service.

MDD is highly aware of the environment.

Being located in the forest region with lake by it's side, MDD takes the nature seriously and invests constantly in a modern and energy-efficient solutions to preserve the local life. Company puts emphasis on waste segregation and recycling. MDD has been awarded for the exceptional care and involvement in waste disposal. All materials used are environmentally friendly and enjoy a high 95 % rate of being recycled.



General informations:

Warranty:

MDD products – **5 years.**

Electrical components and fabric – **2 years.**

Certificate - MFC:



Compliant with standards:

PN-EN 14073-2:2006

Boards density:

12 mm - 690 - 750 kg/m³

18 mm - 650 - 690 kg/m³

28 mm - 610 - 630 kg/m³

36 mm - 610 - 630 kg/m³

Assembly:

the product comes pre-assembled

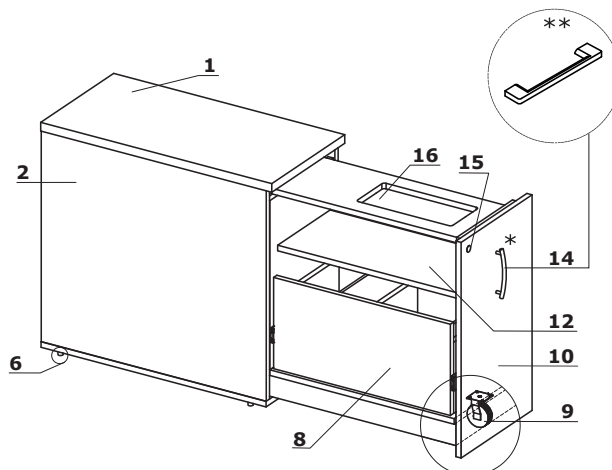
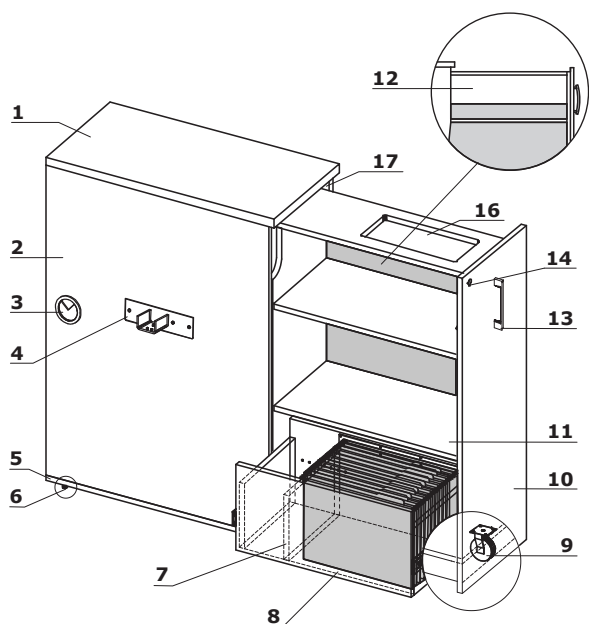
Packing:

cardboard

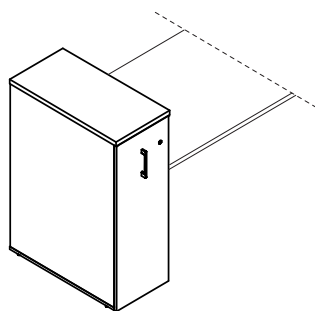
Pedestals Cargo

1. Top - MFC 28 mm, ABS edge
2. Body - MFC 18 mm, ABS edge
3. Grommet - Ø80 mm (for KCD80SL, KCD80SP pedestals)
4. Worktop fixing (for KCD80P, KCD80L, KCD80SL, KCD80SP pedestals)
5. Base - MFC 18 mm, ABS edge
6. Leveling - 10 mm range
7. Movable vertical partition - allows space organization
8. Drawer - MFC 18 mm, max. 35 kg load, possible extraction 100%, possibility of hanging files, ball runners
9. Castors - Ø75 mm
10. Front - MFC 18 mm, ABS edge
11. Shelf - MFC 18 mm, protection against accidental falling-out, ABS edge
12. No back
13. Aluminum handle (for KCD80P, KCD80L, KCD80SL, KCD80SP pedestals)
14. Aluminum handle (for KCD81P, KCD81L, KCN81P, KCN81L pedestals)
 - * Standard
 - ** OPTION WITH EXTRA CHARGE - handle Pro
15. Patent lock
16. Pencil tray - plastic, colour: black
17. Back MFC - 18 mm

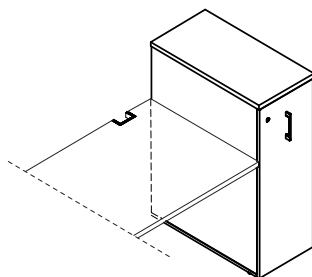
www.mdd.eu



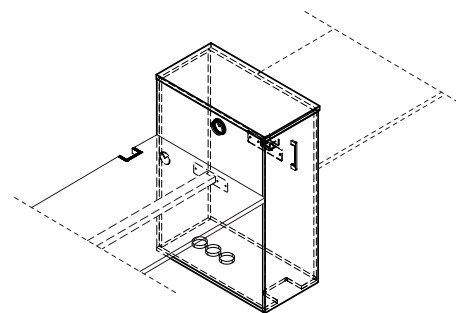
- KCD80L - access to shelves from left side
- KCD80P - access to shelves from right side
- KCD80SP - access to shelves from right side, cable management inside the cargo pedestal
- KCD80SL - access to shelves from right side, cable management inside the cargo



KCD80L

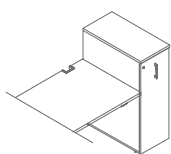


KCD80P

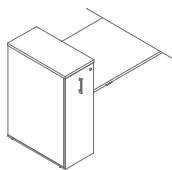


KCD80SL/KCD80SP

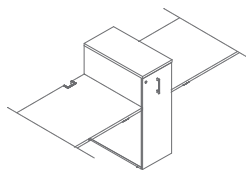
Pedestals Cargo



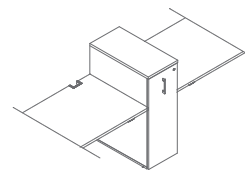
KCD80P
402 / 800 / 1129
72 kg



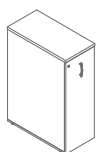
KCD80L
402 / 800 / 1129
74 kg



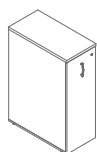
KCD80SP
402 / 800 / 1129
75 kg



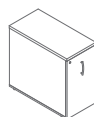
KCD80SL
402 / 800 / 1129
75 kg



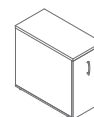
KCD81P
402 / 800 / 1129
71 kg



KCD81L
402 / 800 / 1129
71 kg



KCN81P
402 / 800 / 740
50 kg



KCN81L
402 / 800 / 740
50 kg

Top, base, body, front



14 Beech



26 Aluminum satinato



31 Canadian oak



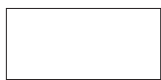
34 Chestnut



39 Polar birch



64 Cocoa



67 White pastel



106 Lowland walnut



154 Anthracite



08 Black