

TWINCO EASY Stepstool Plastic

6200 TWIN EASY STEP® Stepstool

- Tolerates heavy use without losing its looks:
- Dent-proof
- Scratch-proof
- Rust-proof
- Mobile on spring loaded castors that retract when weight is applied
- Capacity: 150 kg



Colour: 6200-9 RAL 7035



Colour: 6200-5 RAL 5005



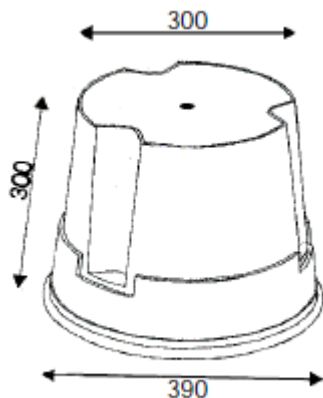
Colour: 6200-1 RAL 9005



Colour: 6200-4 RAL 3020

TWINCO Solution ApS

Fuglebækvej 2C,1
DK-2770 Kastrup
Danmark
T: + 45 7877 3587
E-mail:
info@twincosolution.dk
www.twincosolution.dk



2 Year Warranty ✓



**Logistics
Ean Code**

Art. No	Product	EAN	Tariff No. .
6200-1	TWIN EASY Rollhocker	5708950 620013	9403700090
6200-4	TWIN EASY Rollhocker	5708950 620044	9403700090
6200-5	TWIN EASY Rollhocker	5708950 620051	9403700090
6200-9	TWIN EASY Rollhocker	5708950 620099	9403700090



Pallets

Art. No..	Brutto	Netto	M3	H x L x B (M)	Pcs./pl	Pallet height
6200	2,15 kgs.	1,60 kgs.	0,051	0,32x0,40x0,40	36 pcs.	2,08 mtr.