

# TWINCO Stepstool plastic

## 6000 TWIN LIFT Stepstool

- Tolerates heavy use without losing its looks:
- Dent-proof
- Scratch-proof
- Rust-proof
- Mobile on spring loaded castors that retract when weight is applied
- Capacity: 150 kg



Colour: 6000-9 RAL 7035



Colour: 6000-5 RAL 5005



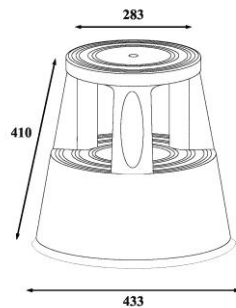
Colour: 6000-1 RAL 9005



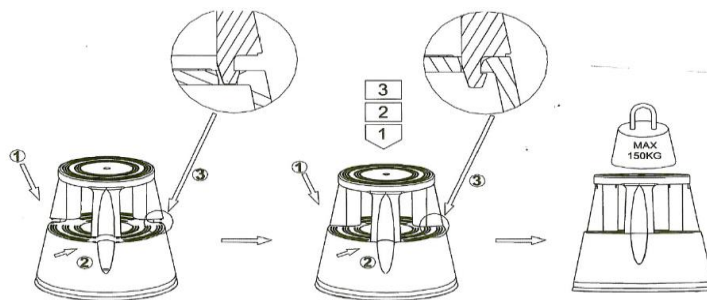
Colour: 6000-4 RAL 3020

## TWINCO Solution ApS

Fuglebækvej 2C,1  
DK-2770 Kastrup  
Danmark  
T: + 45 7877 3587  
E-mail:  
info@twincosolution.dk  
www.twinco.dk



2 Year Warranty ✓



**Logistics  
Ean Code**

| Item No | Product             | EAN No         | Tariff No. . |
|---------|---------------------|----------------|--------------|
| 6000-1  | TWIN LIFT Stepstool | 5708950 600015 | 9403700090   |
| 6000-4  | TWIN LIFT Stepstool | 5708950 600046 | 9403700090   |
| 6000-5  | TWIN LIFT Stepstool | 5708950 600053 | 9403700090   |
| 6000-9  | TWIN LIFT Stepstool | 5708950 600091 | 9403700090   |



**Pallets**

| Items No.. | Brutto    | Netto     | M3     | H x L x B (M) | Pcs./pallet | Pallet height |
|------------|-----------|-----------|--------|---------------|-------------|---------------|
| 6000       | 2,45 kgs. | 2,05 kgs. | 0,0368 | 0,23x0,45x045 | 48 pcs.     | 1,99 mtr.     |