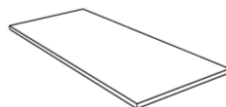
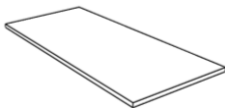


TD114.13.XX

TD150.13.XX



A114
PLA1140X750
X1

A150
PLA1500X750
X1



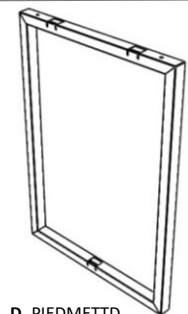
B114
TRAVMETHD114
X2

B150
TRAVMETHD150
X2



C114
TRAVMETBTD114
X1

C150
TRAVMETBTD150
X1



D_PIEDMETTD
X2



E_ACCVERM10
X4



F_BUT16X13TD
X10



G_ACCVISM6X40
X14



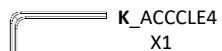
H_RFTRISIMPLE
X4



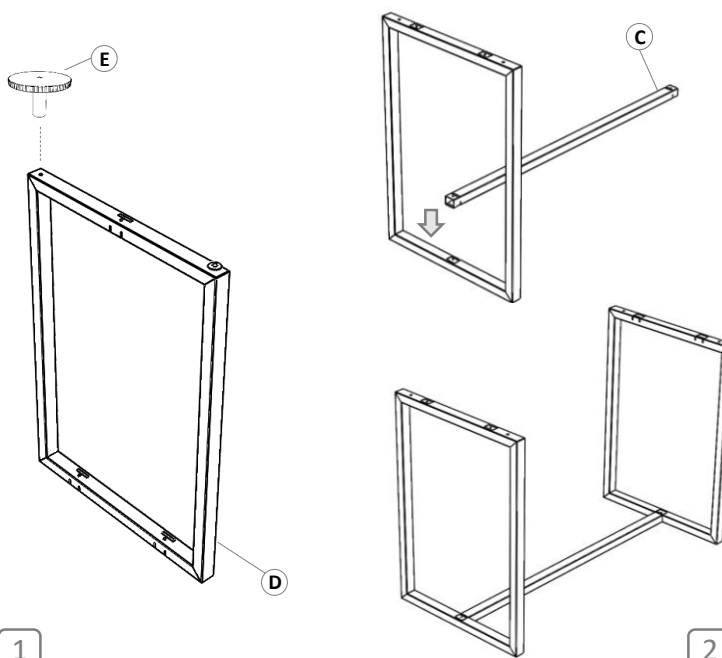
J_ACCMANM6
X4



I_ACCVISM6X70
X4

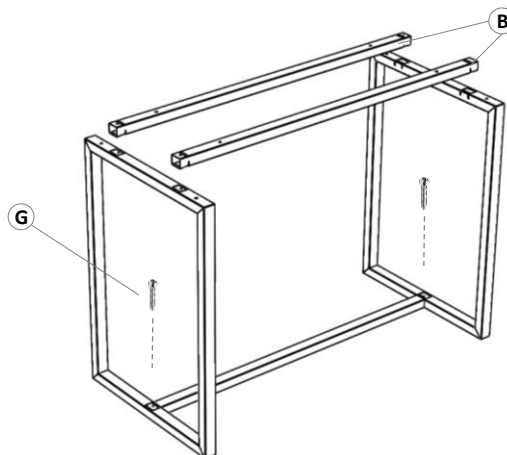
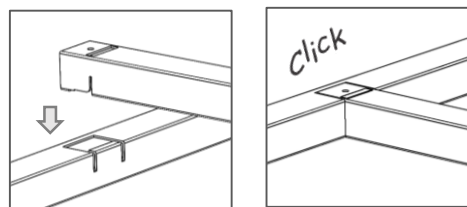


K_ACCCLE4
X1

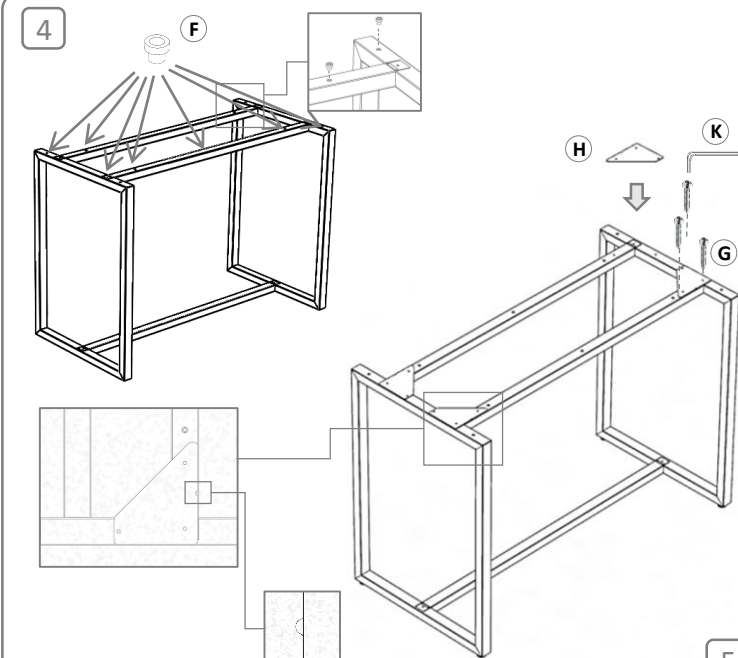


1

2

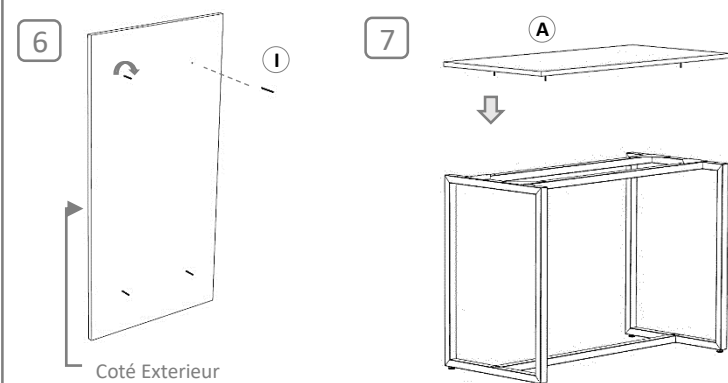


3



4

5



6

7

Coté Extérieur

8

