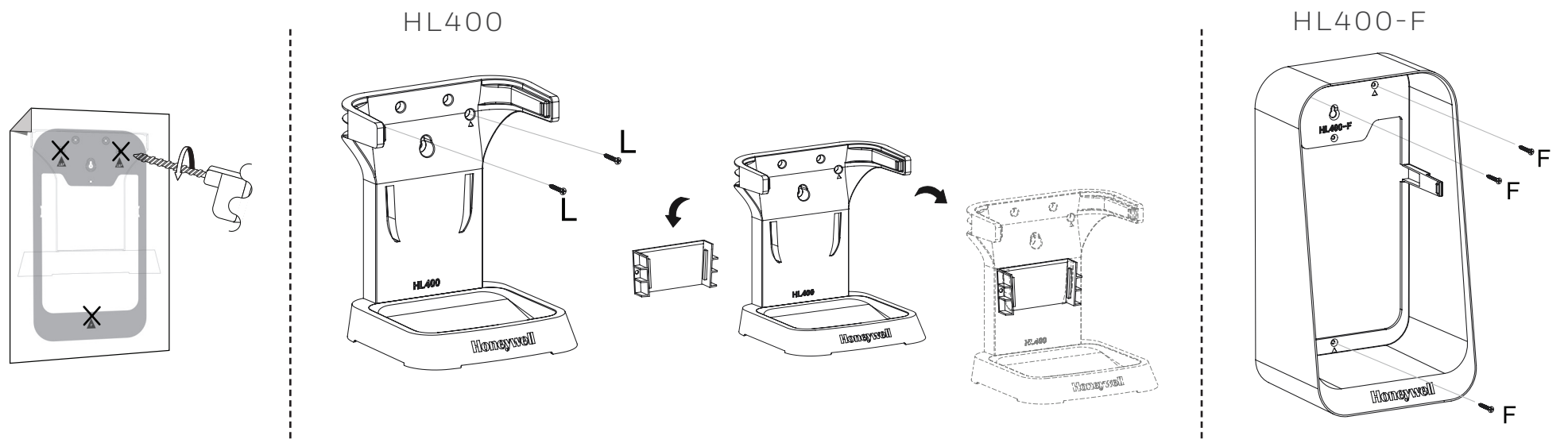


HL400 / HL400-F DISPENSER USER INSTRUCTION

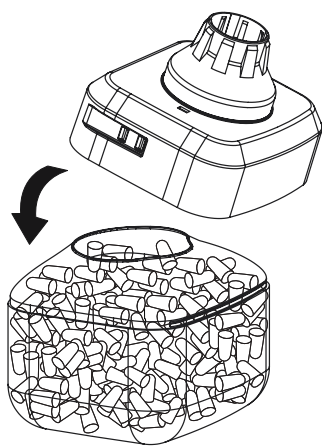
1 WALL MOUNTING



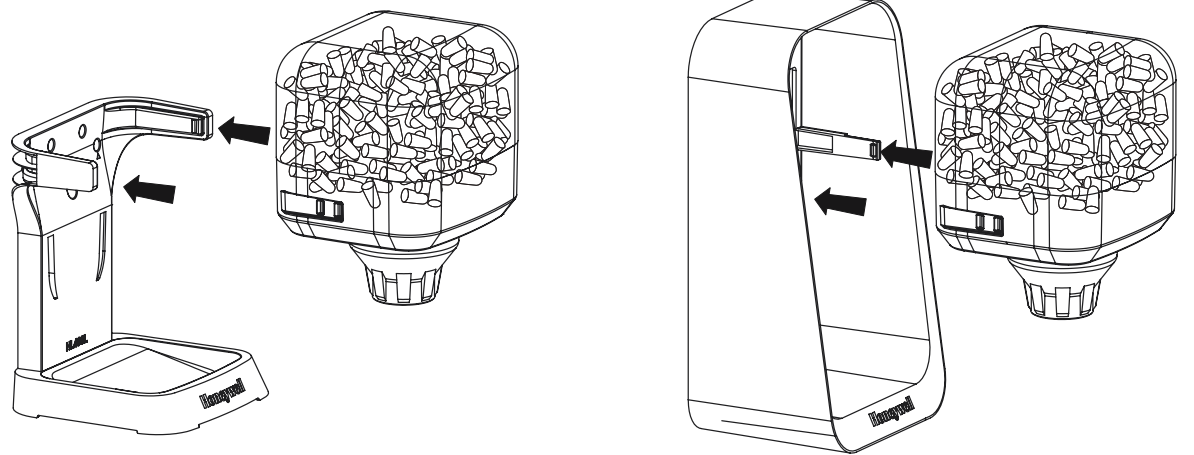
2 REFILLING: REFILL OR PREFILLED



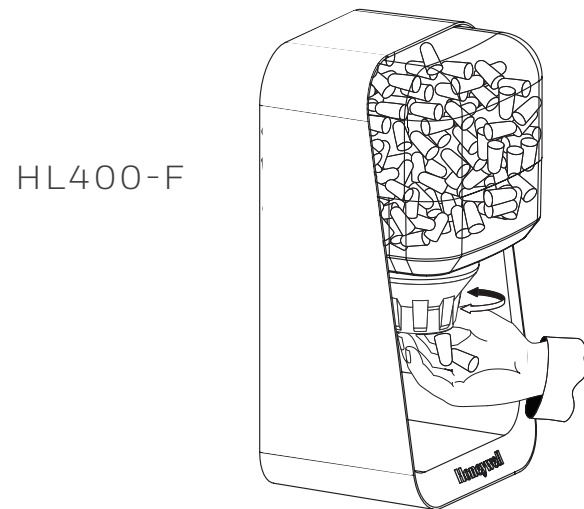
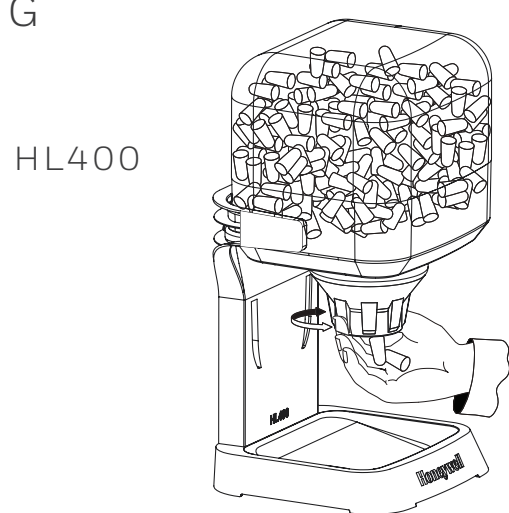
3 ASSEMBLY A

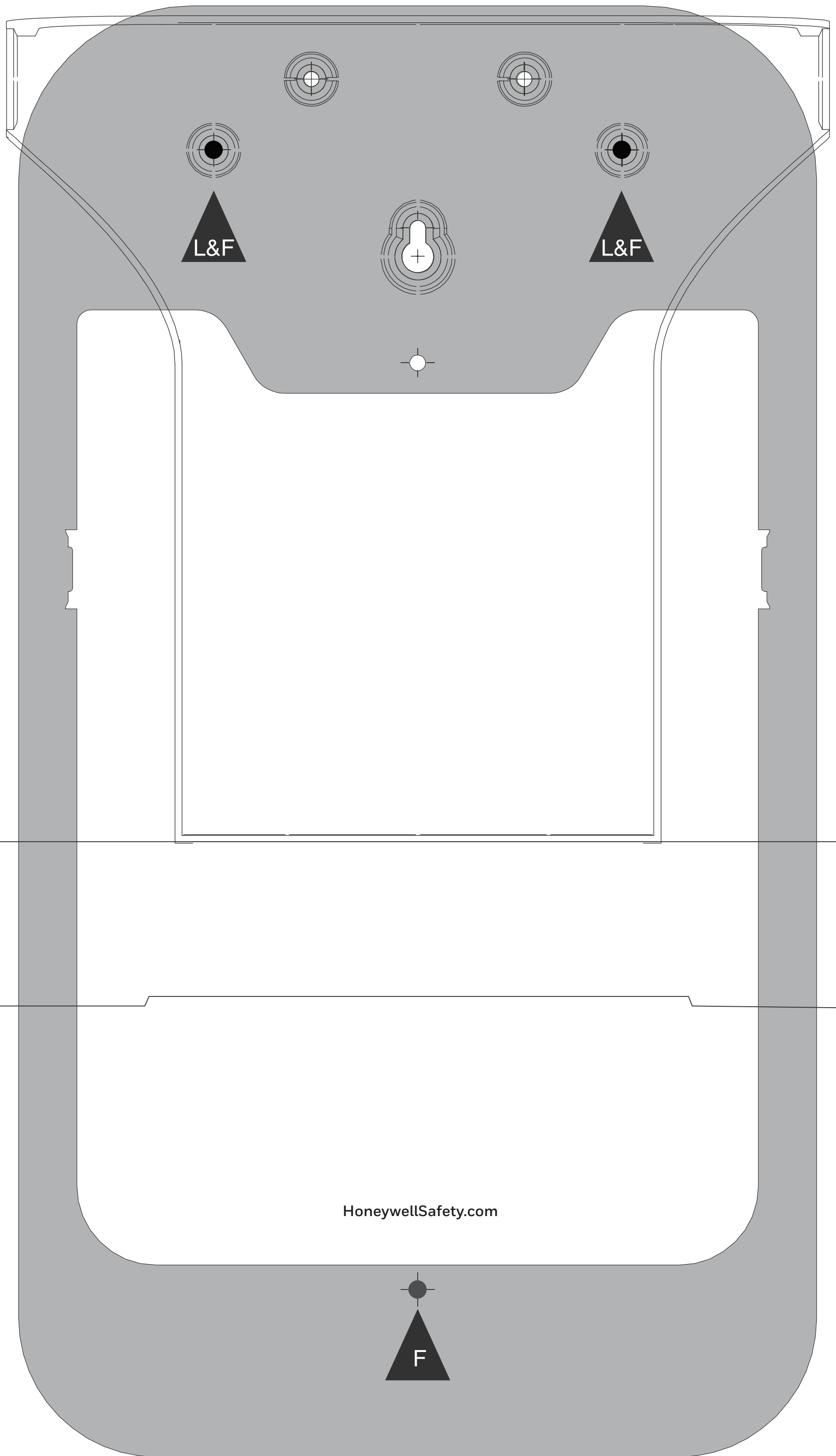


ASSEMBLY B



4 DISPENSING





L&F

L&F

HoneywellSafety.com

F