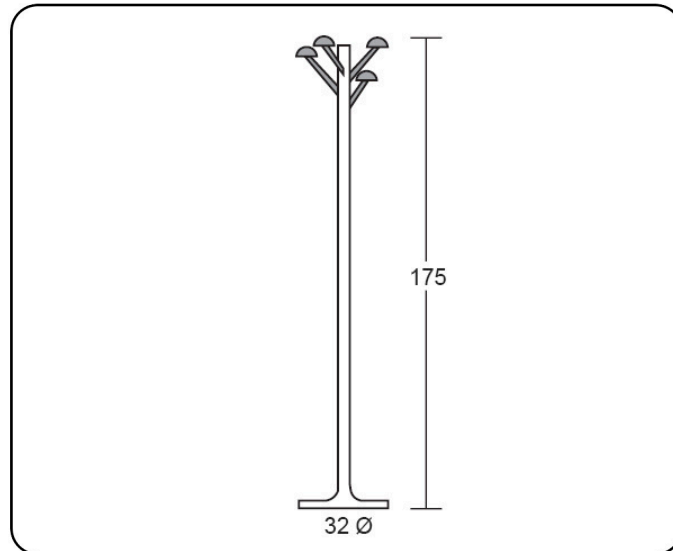


H-22D COAT STAND TECHNICAL DATASHEET



DESCRIPTION: Removable metal coat rack with four adjustable black ABS hangers.

NET WEIGHT: 6,9 kg.

COLORS: black, RAL 9006 grey, graphite, RAL 9016 white, textured blue, textured burgundy, terracotta RAL 3012, sage green RAL 6021, pastel blue RAL 5024, and yellow RAL 1021. Other colors available upon request.

MANUFACTURING MATERIAL:

- Cold-rolled white sheet steel, DC01 grade, EN 10130 Standard.
- Tube of 40 mm Ø. Thickness 1.5 mm. Steel pickling.
- Polyethylene trim.
- Black ABS hangers.
- Polypropylene joining piece.

PAINTWORK:

- Electrostatic application of fire-retardant polyester resin. European fire reaction classification: A2-s1, d0, UNE EN 13501 Standard and M1, UNE 23727 Standard.
- Polymerization at 200° for 20 minutes.
- 60 microns thick.

TESTS AND EVALUATIONS: This product is resistant for its intended use in terms of abrasion and impacts. It also complies with current fire stability regulations. The corresponding quality tests are carried out regarding dimensions, safety and resistance.

FSC-CERTIFIED PACKAGING.