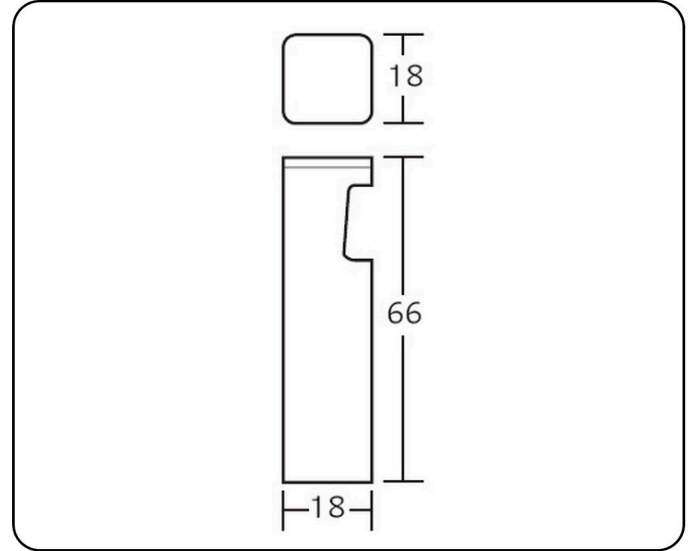


B-33 ASHTRAY BIN TECHNICAL DATASHEET



DESCRIPTION: Metallic ashtray bin. Metal ashtray. Black trims in aperture and base.

CAPACITY: 21 l.

NET WEIGHT: 2,9 kg.

COLORS: black, RAL 9006 grey, graphite, RAL 9016 white, textured blue and textured burgundy. Other colors available upon request.
Ashtray painted in black.

MANUFACTURING MATERIAL:

- Body and ashtray in cold-rolled white sheet steel, DC01 grade, EN 10130 Standard.
- PVC aperture trim with metal insert.
- Polyethylene base trim.

PAINTWORK:

- Electrostatic application of fire-retardant polyester resin. European fire reaction classification: A2-s1, d0, UNE EN 13501 Standard and M1, UNE 23727 Standard.
- Polymerization at 200° for 20 minutes.
- 60 microns thick.

TESTS AND EVALUATIONS: This product is resistant for its intended use in terms of abrasion and impacts. It also complies with current fire stability regulations. The corresponding quality tests are carried out regarding dimensions, safety and resistance.

FSC-CERTIFIED PACKAGING.