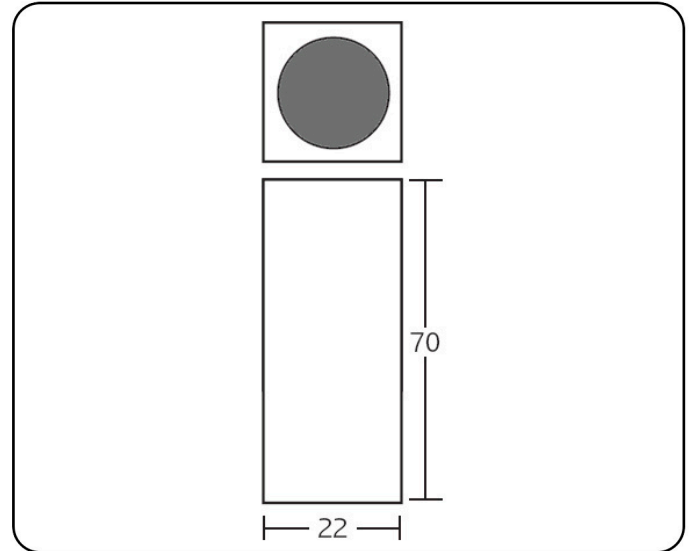


P-71 BIN TECHNICAL DATASHEET



DESCRIPTION: Metal bin with removable top frame for bag holding. Black trim on the base.

CAPACITY: 30 l.

NET WEIGHT: 5,2 kg.

COLORS: Body; black, grey RAL 9006, white RAL 9016 and the colours identifying the type of waste; green, brown, yellow and blue. Other colors available upon request.
Lid; black, RAL 9006, blue, yellow, brown and green.

MANUFACTURING MATERIAL:

- Cold-rolled white sheet steel, DC01 grade, EN 10130 Standard.
- ABS top cover.
- Polyethylene lower trim.

PAINTWORK:

- Electrostatic application of fire-retardant polyester resin. European fire reaction classification: A2-s1, d0, UNE EN 13501 Standard and M1, UNE 23727 Standard.
- Polymerization at 200° for 20 minutes.
- 60 microns thick.

TESTS AND EVALUATIONS: This product is resistant for its intended use in terms of abrasion and impacts. It also complies with current fire stability regulations. The corresponding quality tests are carried out regarding dimensions, safety and resistance.

FSC-CERTIFIED PACKAGING.