



**THE BEST SUPPORT  
FOR YOUR AV & IT HARDWARE**  
T: + 31(0)23-5478888 | E: info@newstar.eu | W: www.newstar.eu

## NS-PLXPROTECT2

## NEWSTAR TRANSPARENT SCREEN

The NS-PLXPROTECT2 is a transparent screen for 2 flat screens, offering distance protection within the workspace –  
Transparent acrylic

| PLXPROTECT by Newstar is registered as EU-Design patent |



### SPECIFICATIONS

<b>Cable management</b>	Yes
<b>Color</b>	Transparent
<b>Depth</b>	0.3 cm
<b>Height</b>	74 cm
<b>Height adjustment</b>	Manual
<b>Max. screen size</b>	27
<b>Max. weight</b>	0
<b>Min. screen size</b>	22
<b>Min. weight</b>	0
<b>Screens</b>	2
<b>VESA maximum</b>	100x100
<b>VESA minimum</b>	100x100
<b>Warranty</b>	5 year
<b>Width</b>	139 cm
<b>EAN code</b>	8717371448226

NewStar introduces a smart new solution for the new way of working; the NS-PLXPROTECT series. Society has changed since the Covid-19 pandemic and new measures are being taken to enable coworking as safely as possible in this 1.5/ 2-meter society.

The NS-PLXPROTECT products offer users additional protection from others, by increasing distance and creating a barrier in the workspace. The NS-PLXPROTECT1 (for 1 monitor) and the NS-PLXPROTECT2 (for 2 monitors) do not require fixing to the desk or ceiling – they can be easily attached to the existing desk mount, moving with the flat screen and the height-adjustable desk. The screen, unlike alternative solutions, does not take up extra space on the desk. In addition, the screen can be used as a memo board for your to do lists, using a whiteboard marker. The NS-PLXPROTECT products are very user-friendly, easy to install and easily cleaned.

The NS-PLXPROTECT2 is 140 cm wide x 74 cm high and has slots for a VESA-hole pattern of 100x100 mm for mounting 2 flat screens between 22" and 27". The screen is made of 100% transparent acrylic to ensure a spacious feeling and has rounded corners. The screen is equipped with 2 mounting points, so that it is adjustable in height relative to the monitors. Because the NS-PLXPROTECT2 is mounted between the flat screens and the desk mount, the screen moves with the monitors and sit-stand workstation when they are adjusted in height. The flat screens can also be adjusted horizontally towards each other for optimal adjustment. The NS-PLXPROTECT2 can be mounted on 2 separate arms, gas-sprung arms, a crossbar and/ or a double monitor arm.

Dimensions: 1400x740x3 mm

Net weight: 3,63 kg

Note: Take into account the maximum load capacity of the desk mount in combination with the weight of the NS-PLXPROTECT2 and the flat screens.

NewStar Products Europe B.V.  
Wateringweg 62/B  
2031 EJ HAARLEM  
THE NETHERLANDS

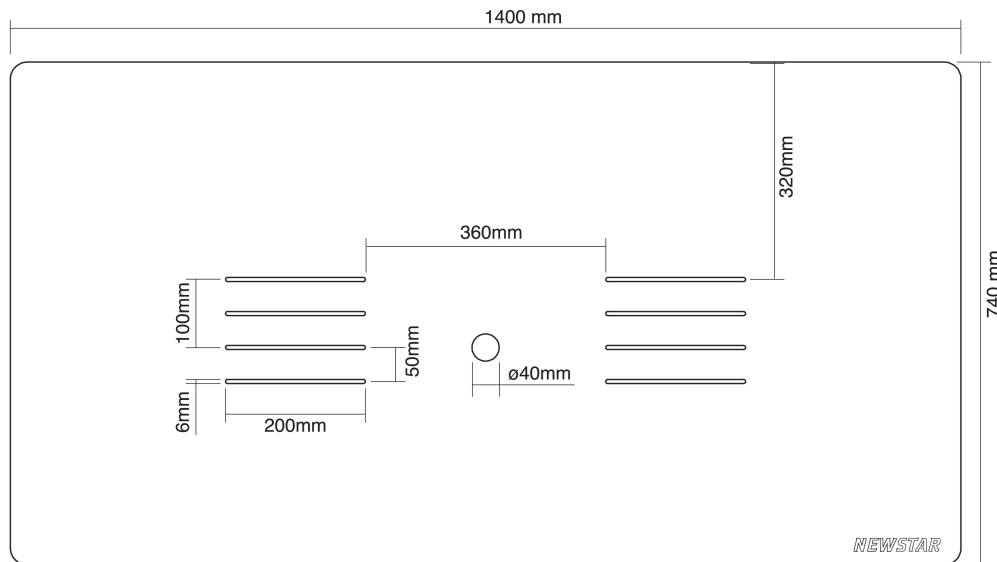
**Phone** : +31(0)23-5478888  
**Fax** : +31(0)23-5478889  
**Email** : info@newstar.nl  
**Website** : www.newstar.eu

NewStar cannot be held liable for any inaccuracies and copyrights.  
No part of this publication may be reproduced and/or published by print, photocopy, microfilm or in any other way, without prior written permission of  
NewStar Computer Products Europe BV.

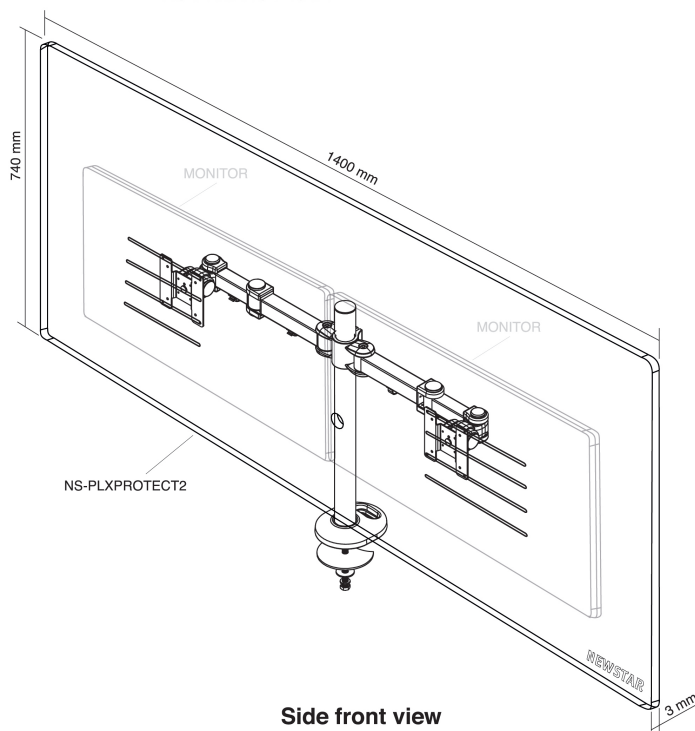


**THE BEST SUPPORT  
FOR YOUR AV & IT HARDWARE**  
T: + 31(0)23-5478888 | E: info@newstar.eu | W: www.newstar.eu

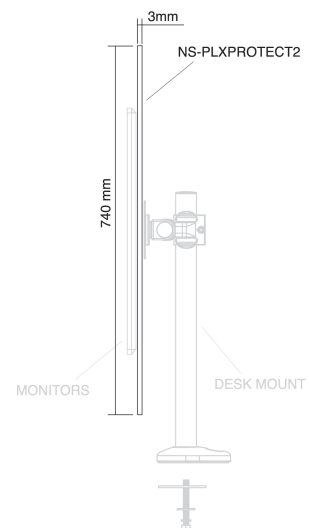
# NS-PLXPROTECT2 NEWSTAR TRANSPARENT SCREEN



NS-PLXPROTECT2



Side front view



Side view

NewStar Products Europe B.V.  
Wateringweg 62/B  
2031 EJ HAARLEM  
THE NETHERLANDS

Phone : +31(0)23-5478888  
Fax : +31(0)23-5478889  
Email : info@newstar.nl  
Website : www.newstar.eu

NewStar cannot be held liable for any inaccuracies and copyrights.  
No part of this publication may be reproduced and/or published by print, photocopy, microfilm or in any other way, without prior written permission of NewStar Computer Products Europe BV.