
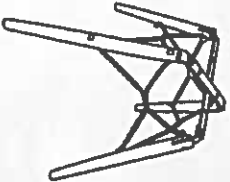






# ASSEMBLY INSTRUCTION

ITEM NO: K-1190W-2

|  |
|--|
| <p>(A) X1</p>         |
| <p>(B) X1</p>          |
| <p>(C) X4 (6x22)</p>    |
| <p>(D) X4 (6x15X1)</p>  |
| <p>(E) X4 (M6)</p>      |
| <p>(F) X1</p>           |

