

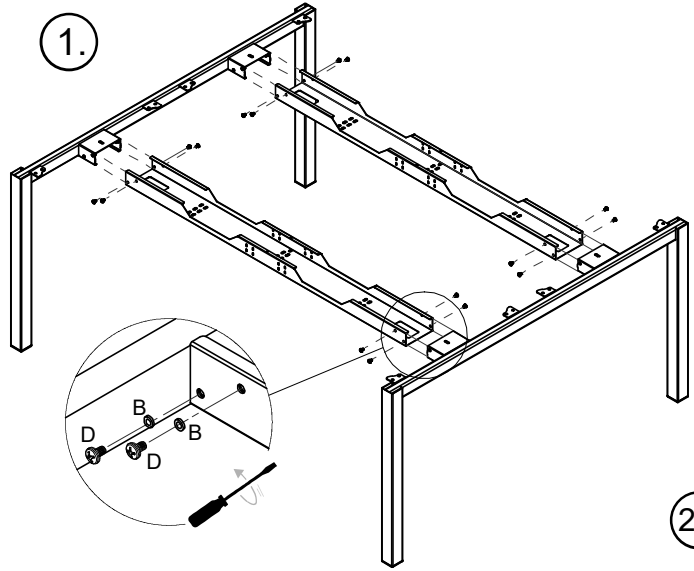
LYBRA
 PLAN DOUBLE / ÉCRAN
 EMB5984500

- | | |
|----------------------------|----------------------------|
| A x12
FER1012800 | B x16
FER798500 |
| D x28
FER7997900 | E x12
FER1000500 |

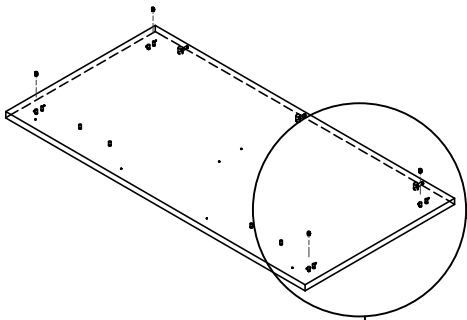
+

- | | |
|-------------|-------------|
| F x3 | G x6 |
|-------------|-------------|

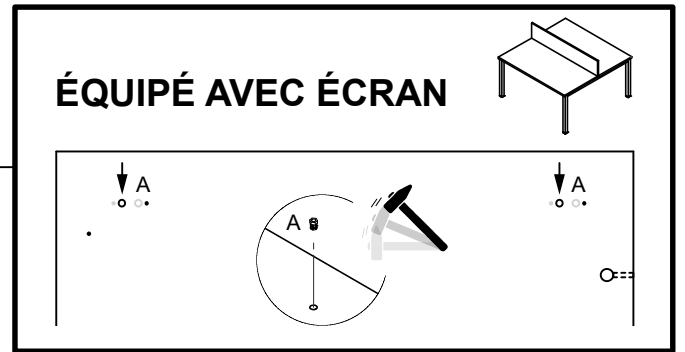
VISSERIE ÉCRAN



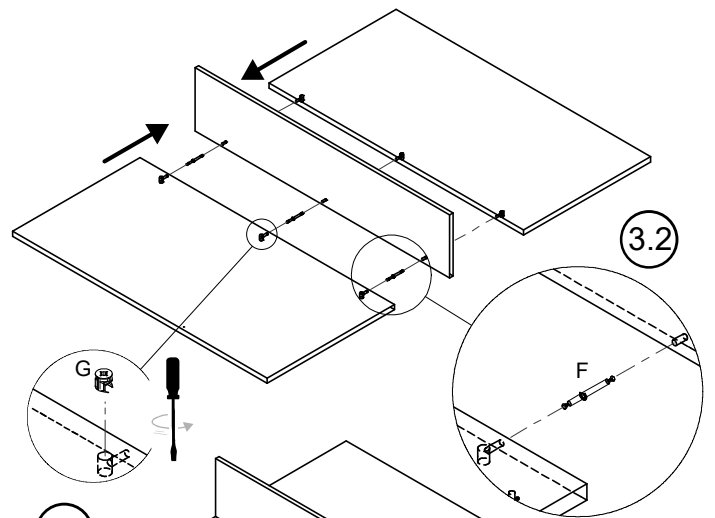
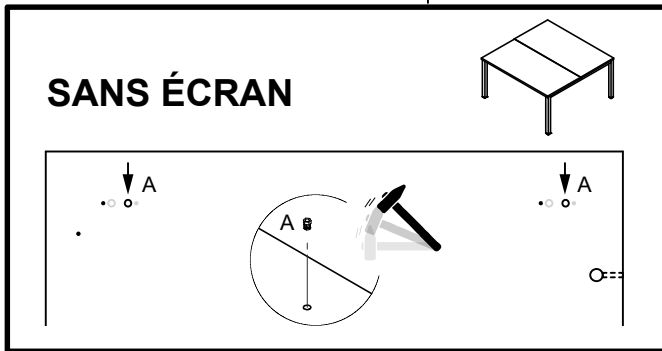
1.



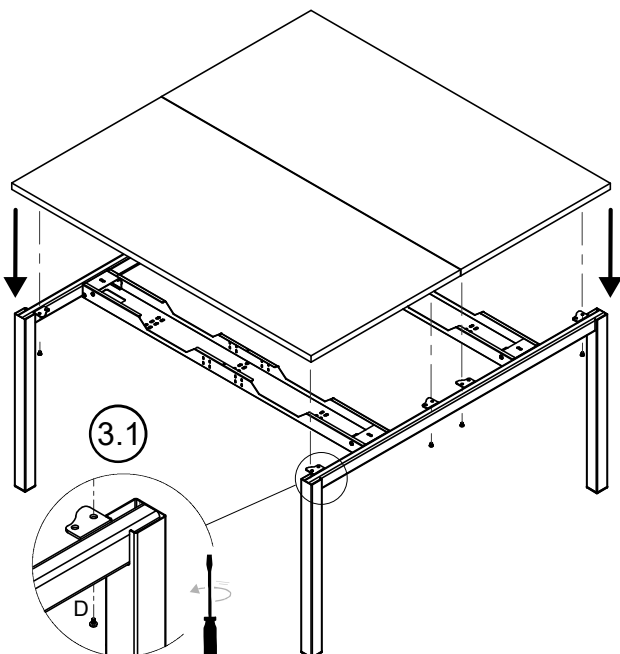
2.1



2.2

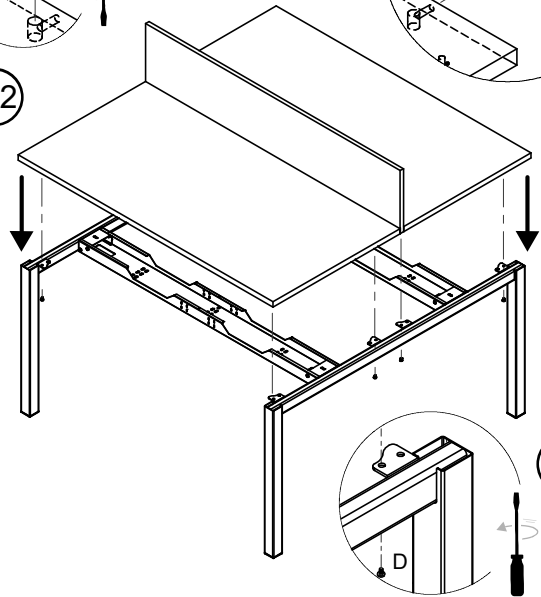


3.2



3.1

4.2



5.2