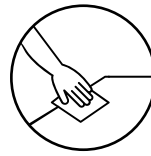
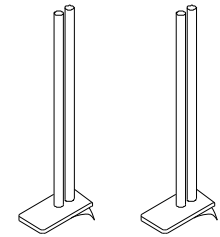


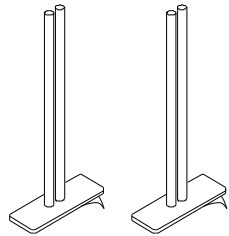
1. Pulire la superficie / Clean the surface



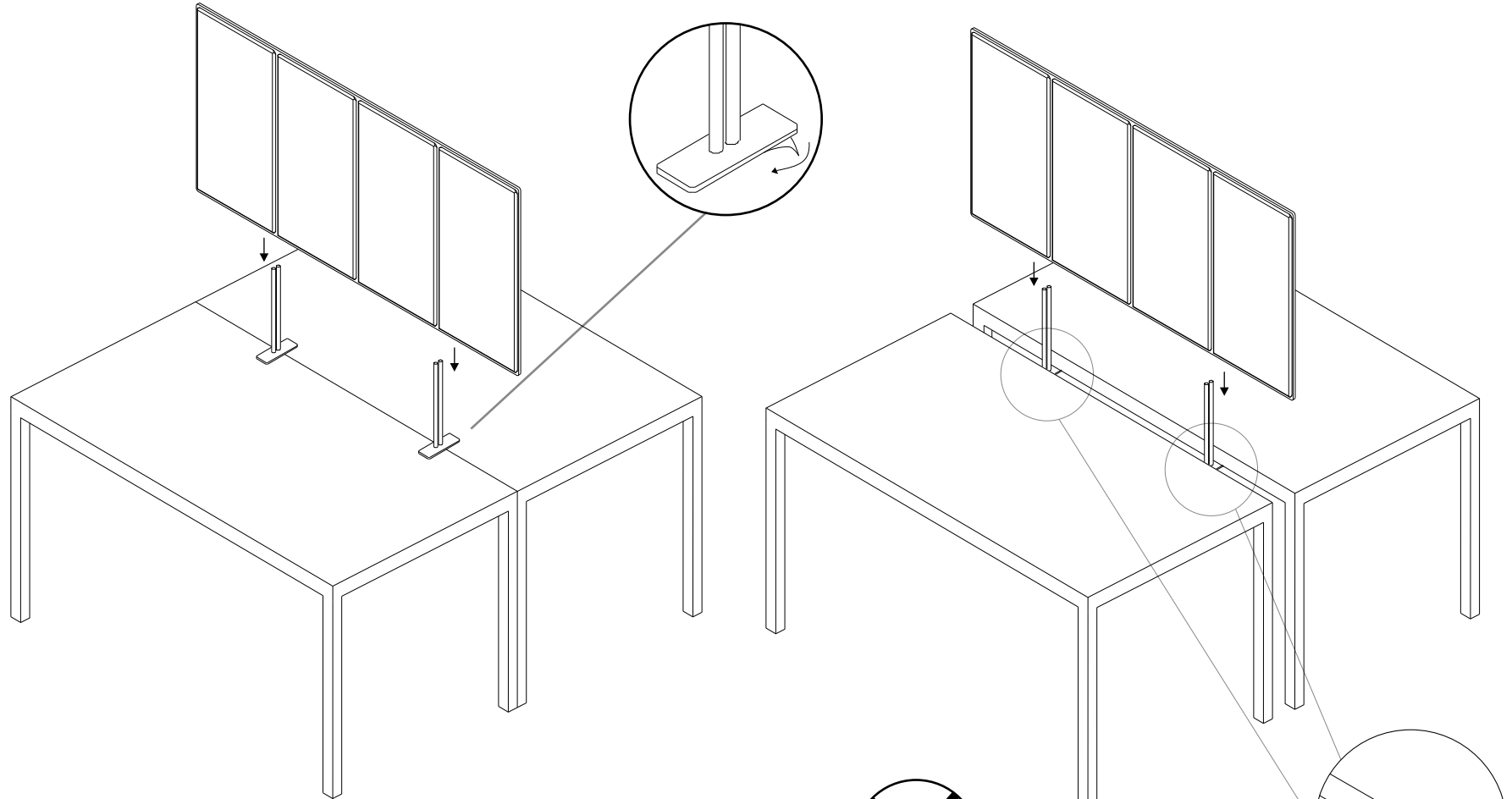
2. Installare il biadesivo / Install the double-sided adhesive



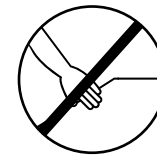
ED-SS



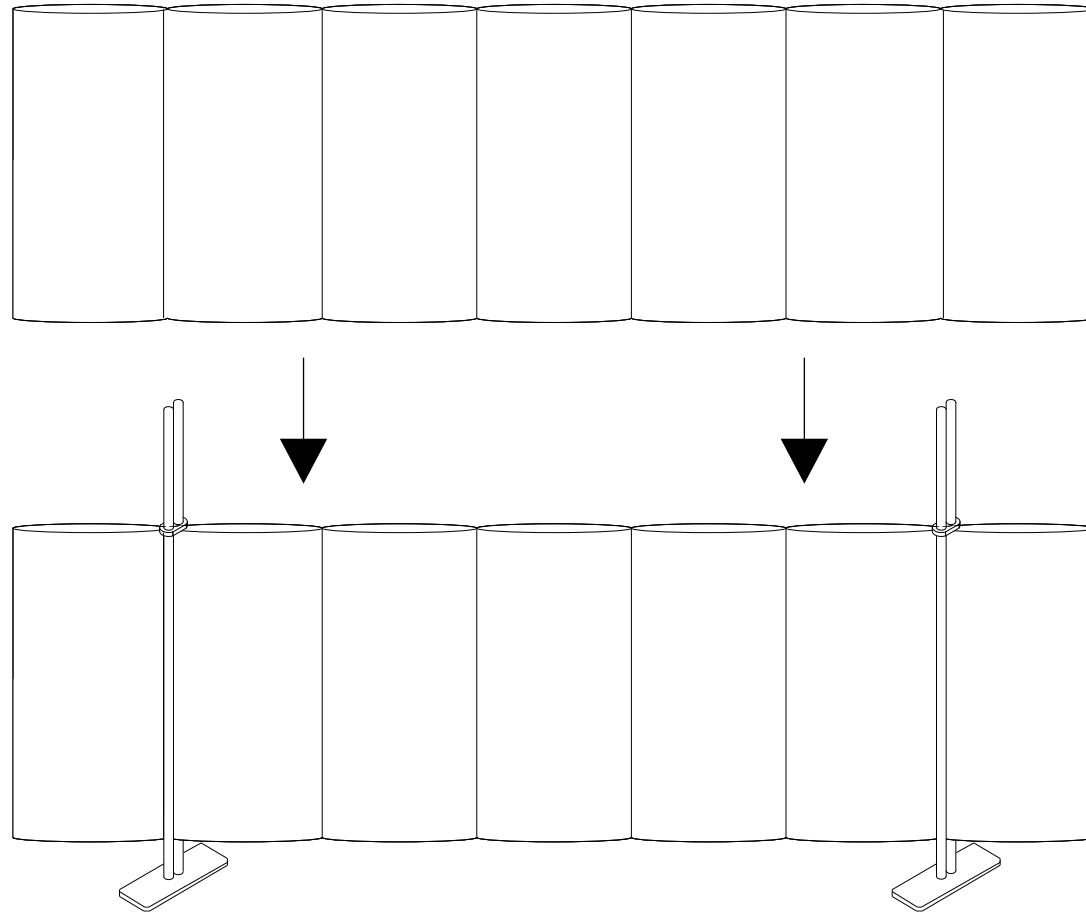
ED-SD

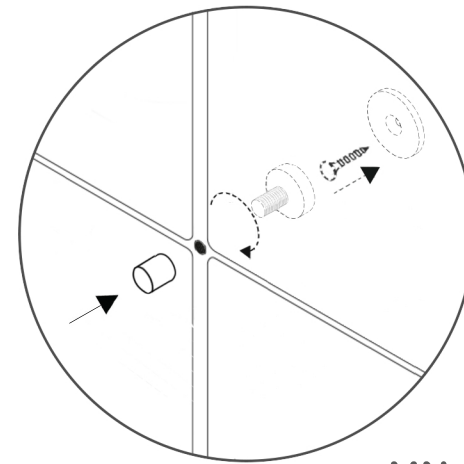
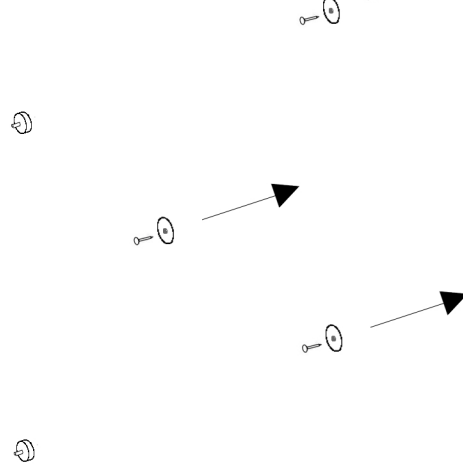
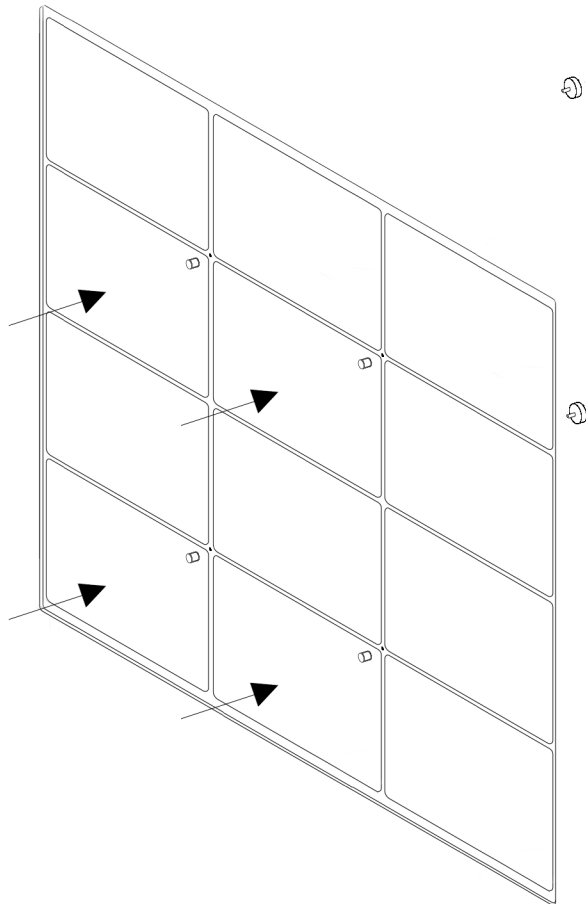


3. Non toccare per 24 ore / Do not touch for 24 hours

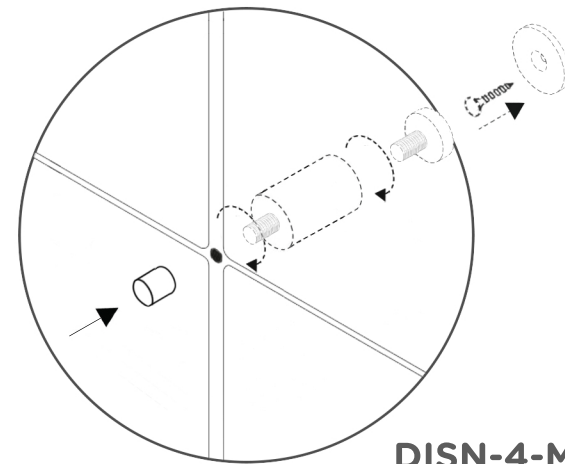


H 24

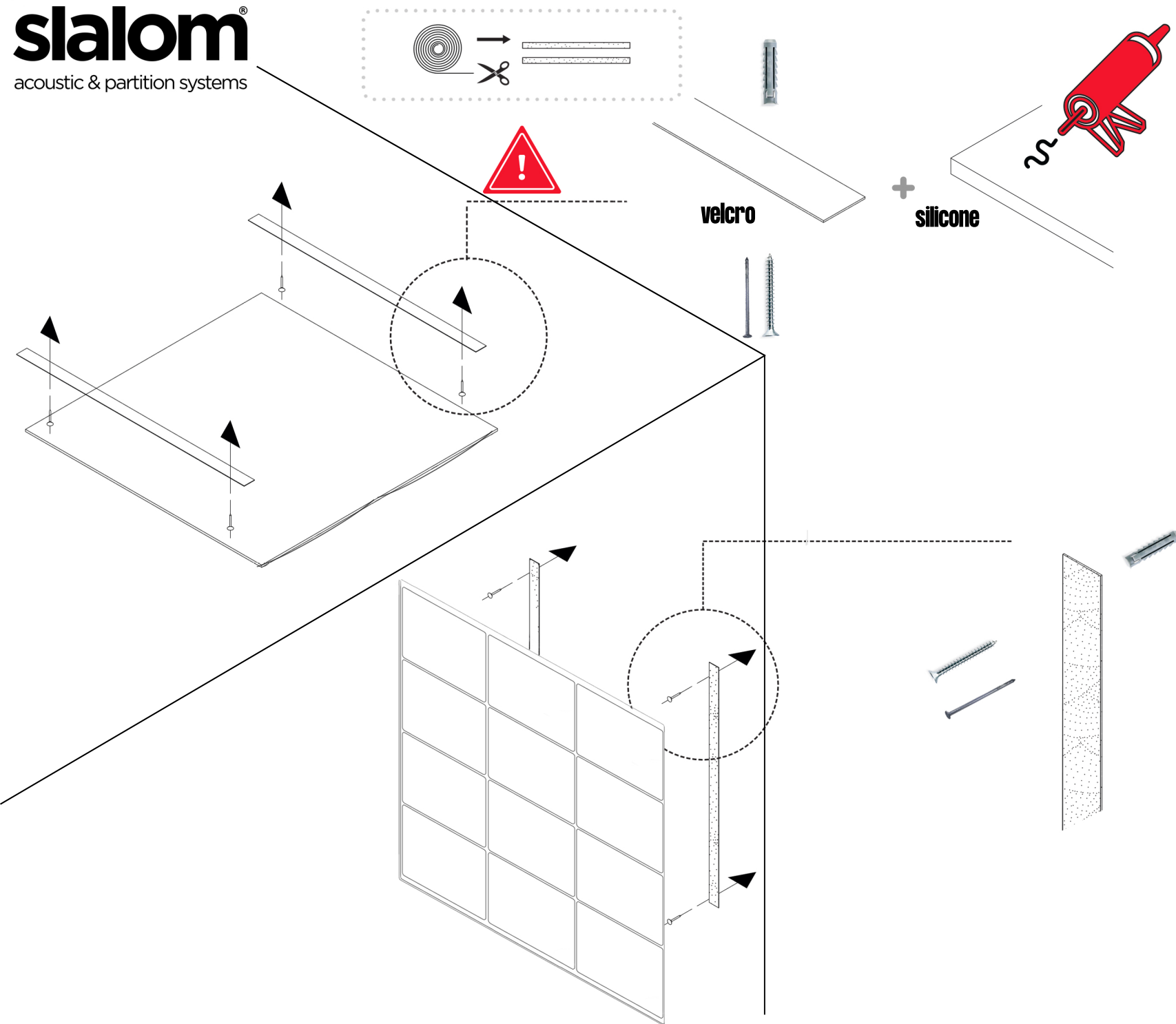


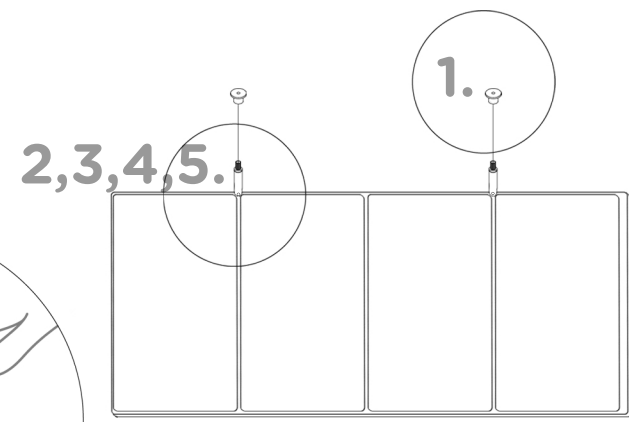
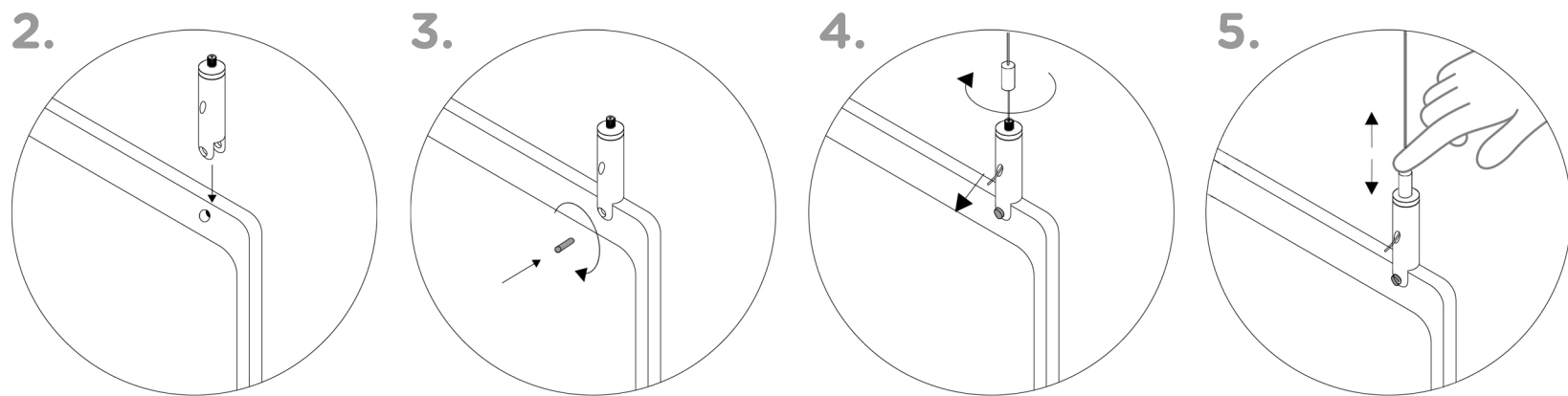
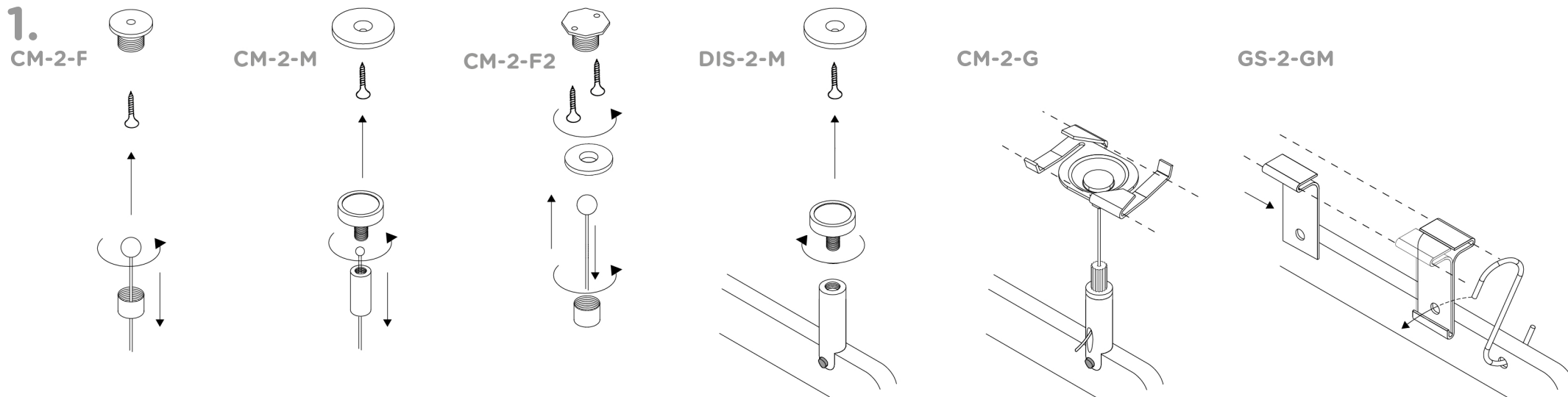


MN-4-D



DISN-4-M-D

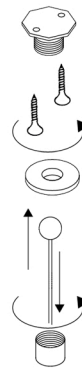




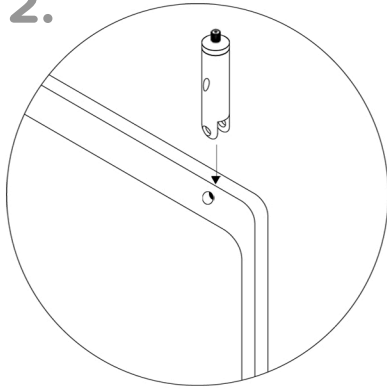
1.
CM-2-F



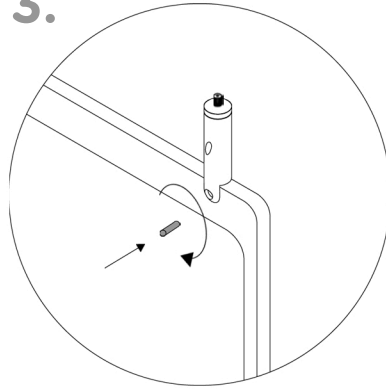
CM-2-F2



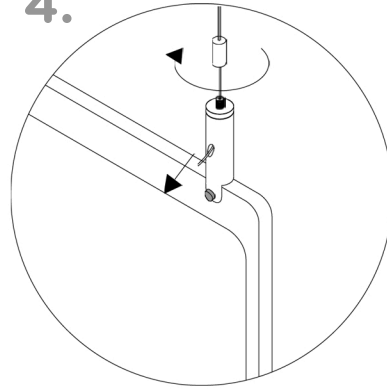
2.



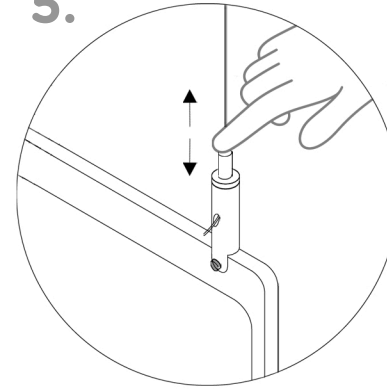
3.



4.

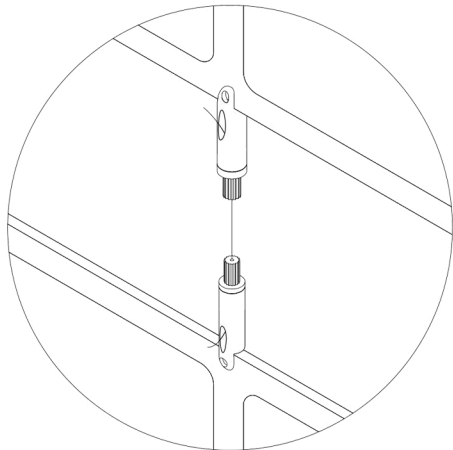


5.

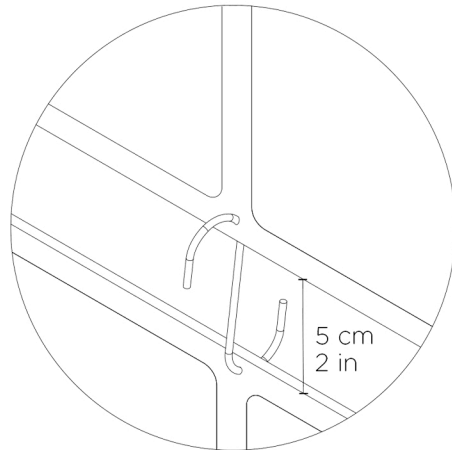


6.

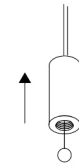
CM-2-CM



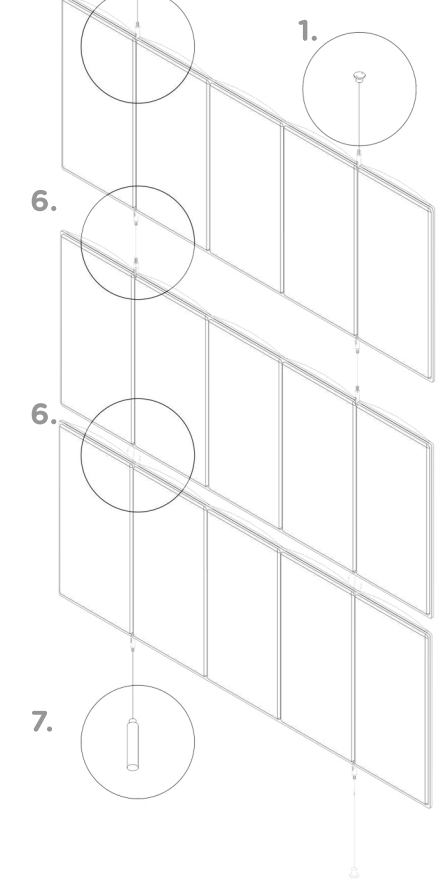
GS-2



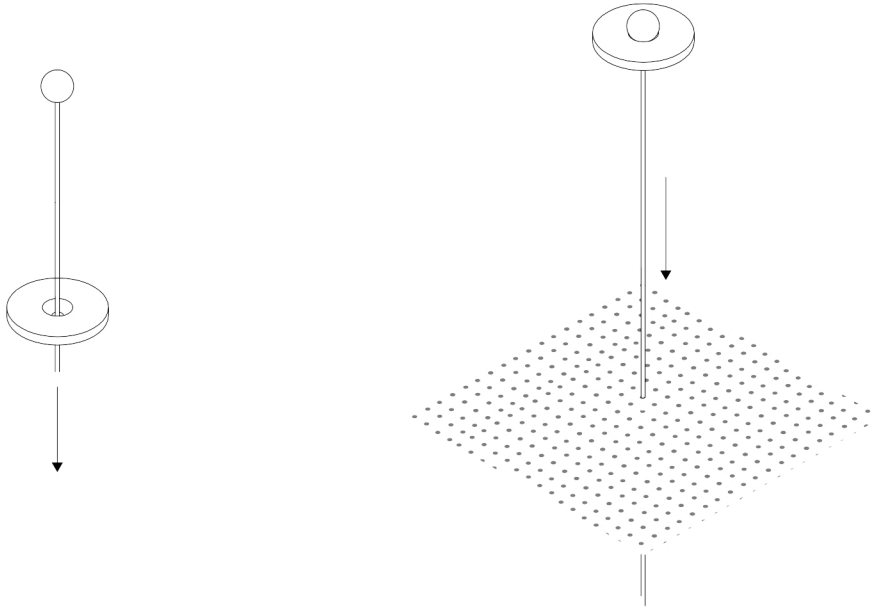
7.



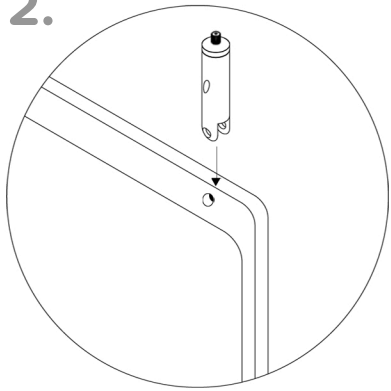
2,3,4,5.



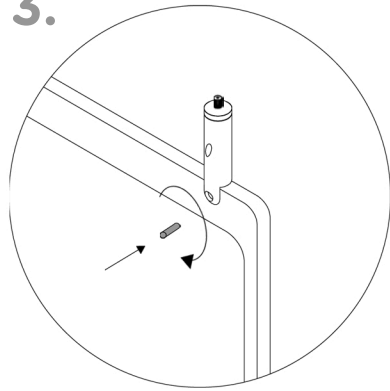
1.



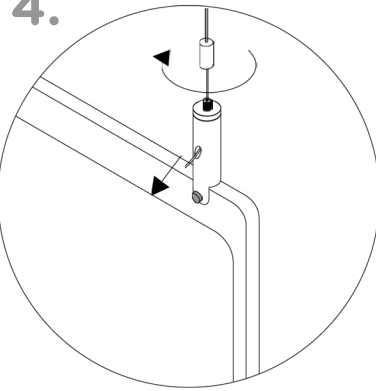
2.



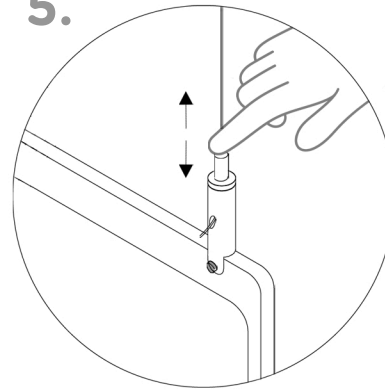
3.



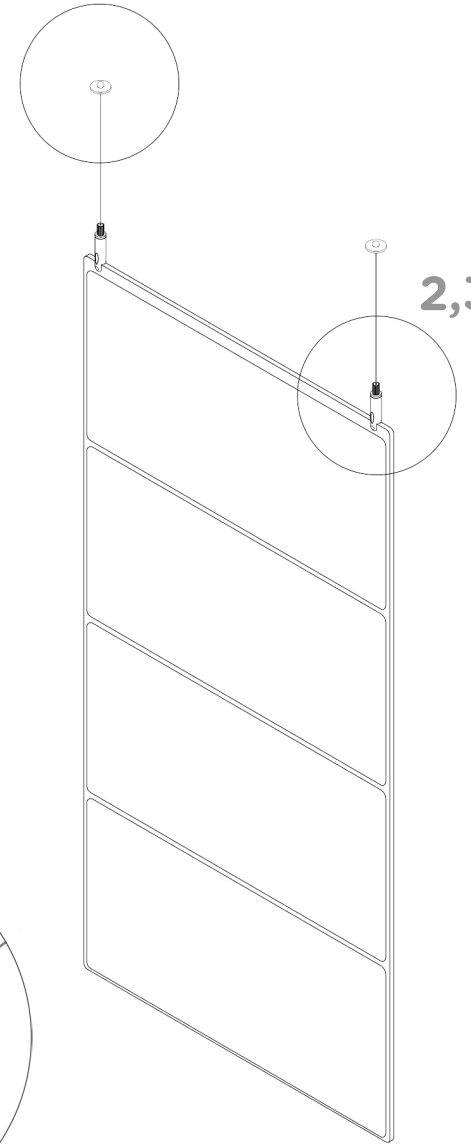
4.



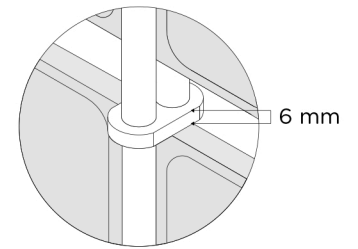
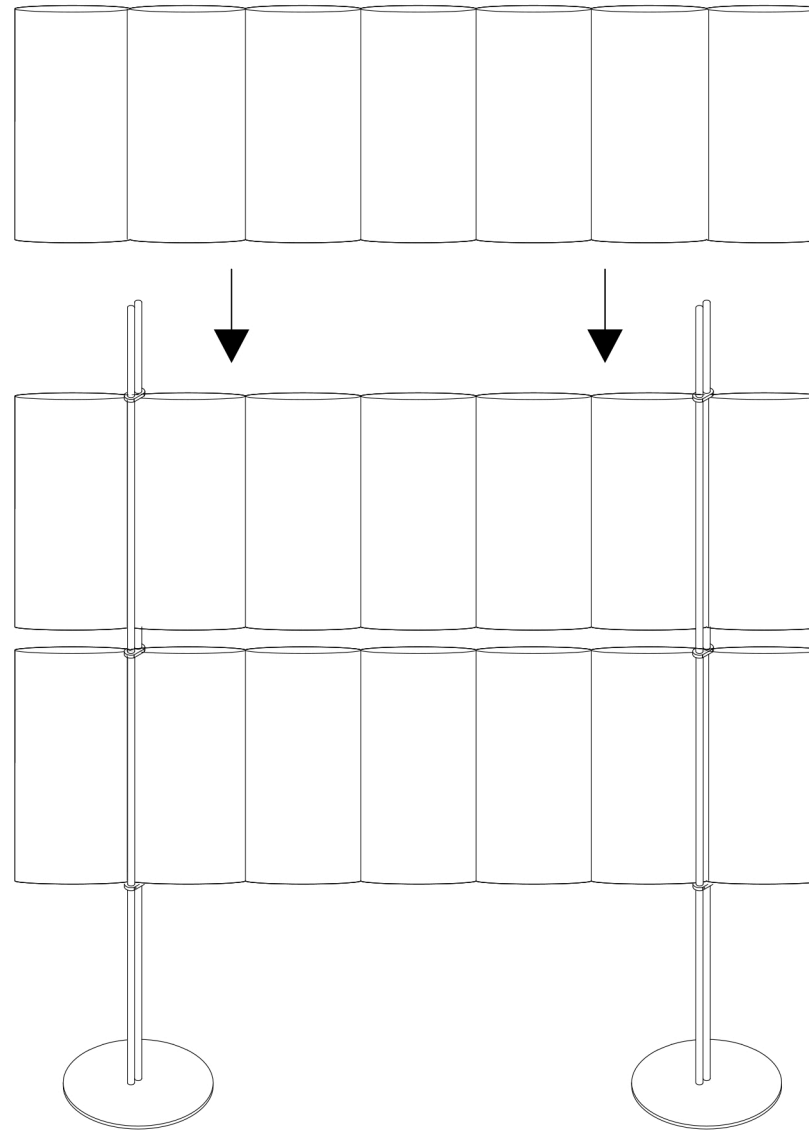
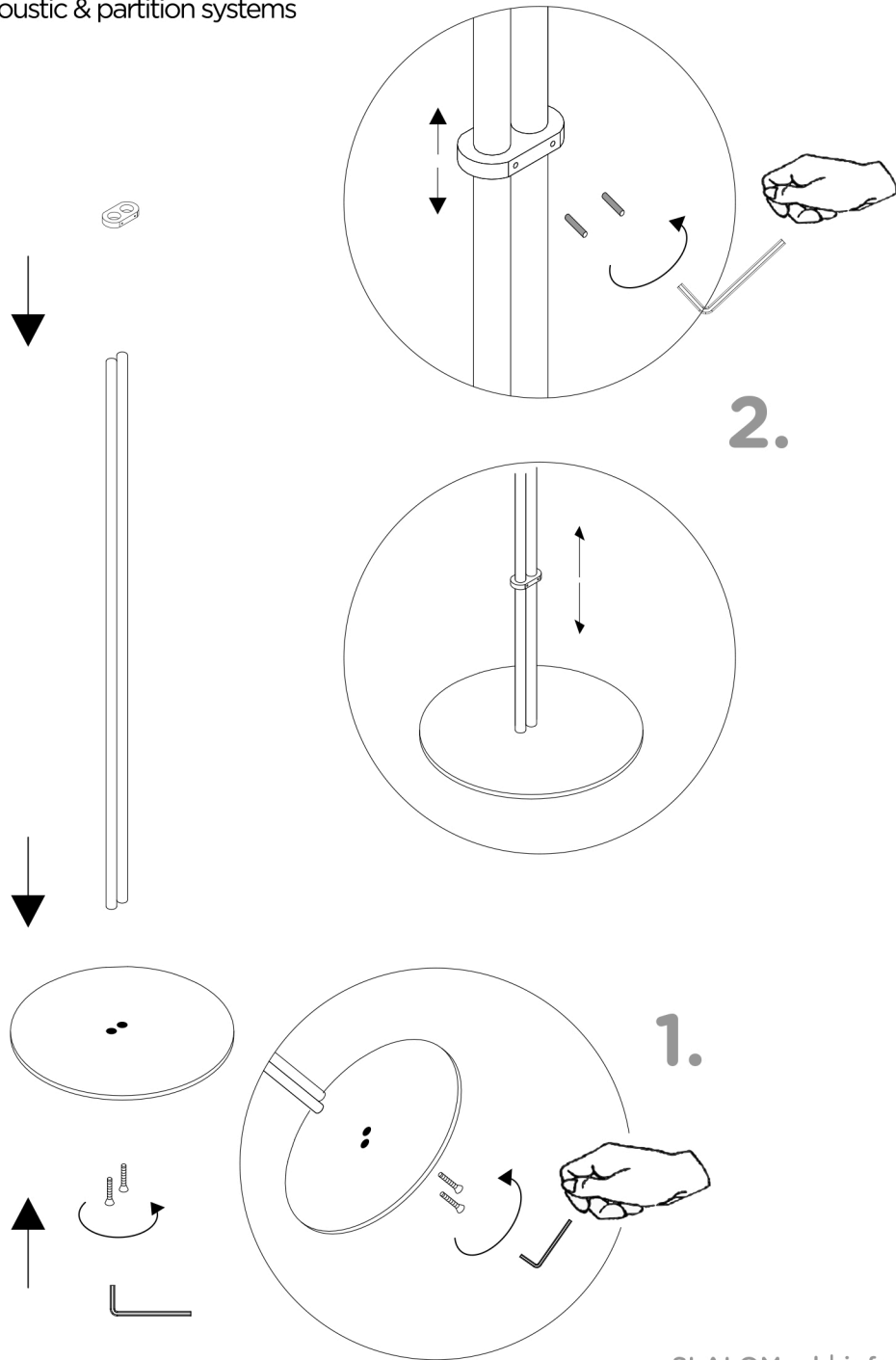
5.

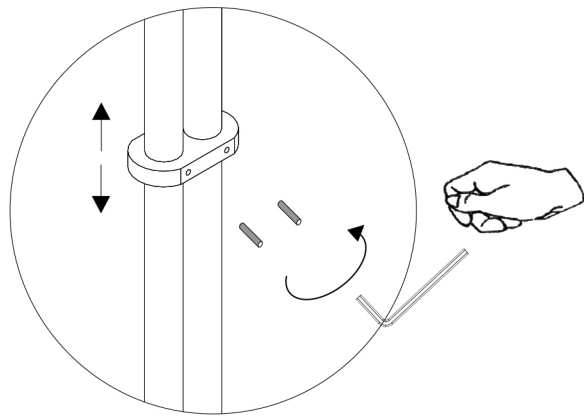
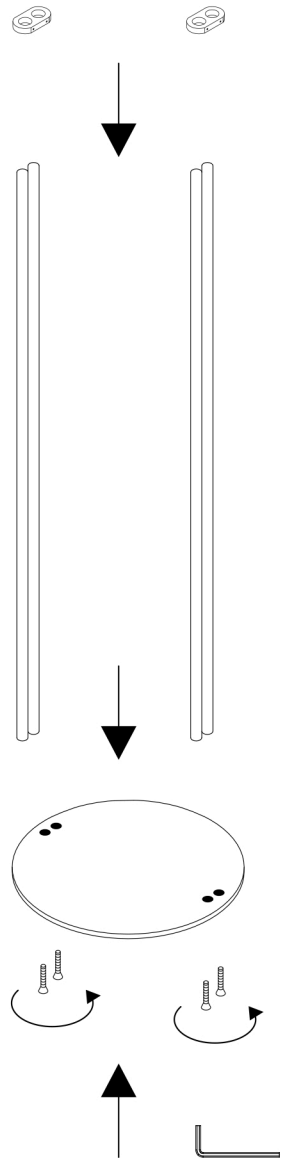


1.

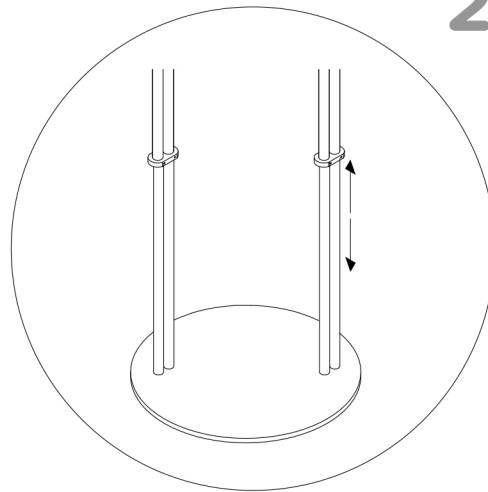


2,3,4,5.





2.



1.

