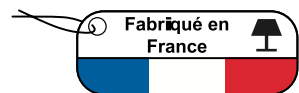
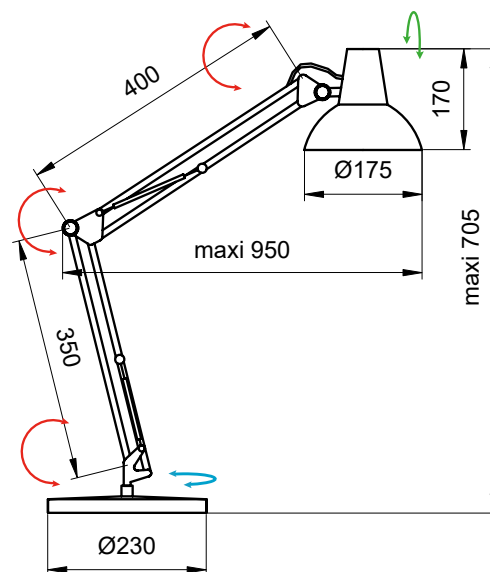


# CALYPSA

## Desk lamp



Iconic Design



The iconic architect's lamp revisited, CALYPSA is fully articulated. Weighted base for great stability. On/off switch on the socket. Epoxy lacquered steel and varnished brushed metal.  
Product delivered without bulb

### • TECHNICAL SPECIFICATIONS

Light source \_\_\_\_\_ E27  
Power \_\_\_\_\_ 12W maxi  
Material \_\_\_\_\_ Steel/Aluminium/Synthetic  
Color \_\_\_\_\_ ● ○

### • LOGISTIC SPECIFICATIONS

Packaging \_\_\_\_\_ 1 package  
Net weight \_\_\_\_\_ 4,1 kg  
Gross weight \_\_\_\_\_ 4,36 kg

### • COMMERCIAL SPECIFICATIONS

Weight \_\_\_\_\_ 4,36 Kg  
Warranty \_\_\_\_\_ 5 years  
Repairability \_\_\_\_\_ 10 years  
Code EAN \_\_\_\_\_ ● 3131130365121  
○ 3131130365114



# ALUMINOR

LUMINAIRES

852 CD 15, 06390 CONTES, FRANCE // +33 (0)4 93 91 60 10  
contact@aluminor.fr // www.aluminor.fr