


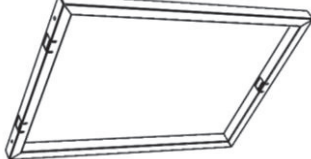

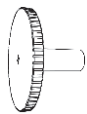



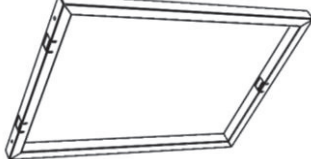

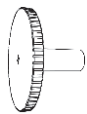





TD114.13.XX	 <p>A114 PLA1140X750 X1</p>	 <p>B114 TRAVMETHD114 X2</p>	 <p>C114 TRAVMETBD114 X1</p>	 <p>D_PIEDMETTD X2</p>  <p>E_BUT16X13TD X8</p>  <p>F_ACCVERM10 X4</p>  <p>G_ACCVISM6X40 X6</p>  <p>H_ACCVISM6X55 X4</p>  <p>ACCCL4 X1</p>
TD150.13.XX	<p>A150 PLA1500X750 X1</p>	<p>B150 TRAVMETHD150 X2</p>	<p>C150 TRAVMETBD150 X1</p>	 <p>D_PIEDMETTD X2</p>  <p>E_BUT16X13TD X8</p>  <p>F_ACCVERM10 X4</p>  <p>G_ACCVISM6X40 X6</p>  <p>H_ACCVISM6X55 X4</p>  <p>ACCCL4 X1</p>

