









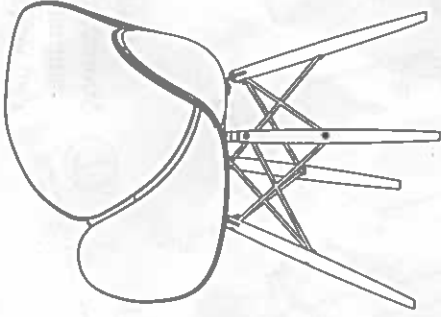
Each product contains

Number	Picture	Quantity
①		1
②		4
③		1
④		4

Number	Picture	Quantity	Additional accessories
⑤	 M6x12	4	1
⑥		8	1
⑦	 M6x35	8	1
⑧		8	1



FL-08W

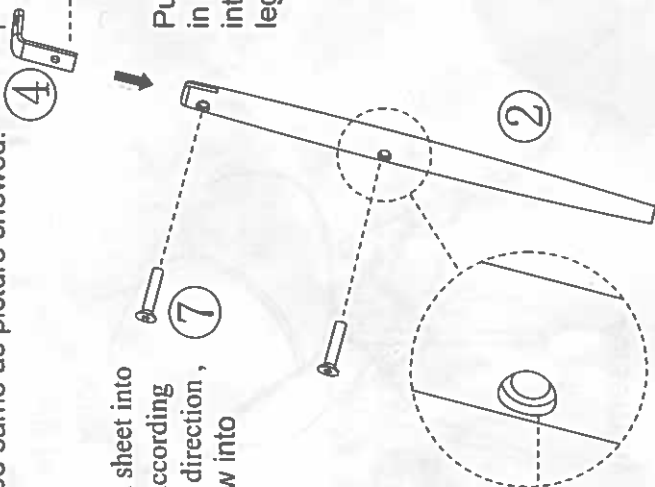


Assembly instructions

1

! Attention! Iron sheet bending toward must be same as picture showed.

1、Put the iron sheet into wood leg first according picture showed direction, and then screw into

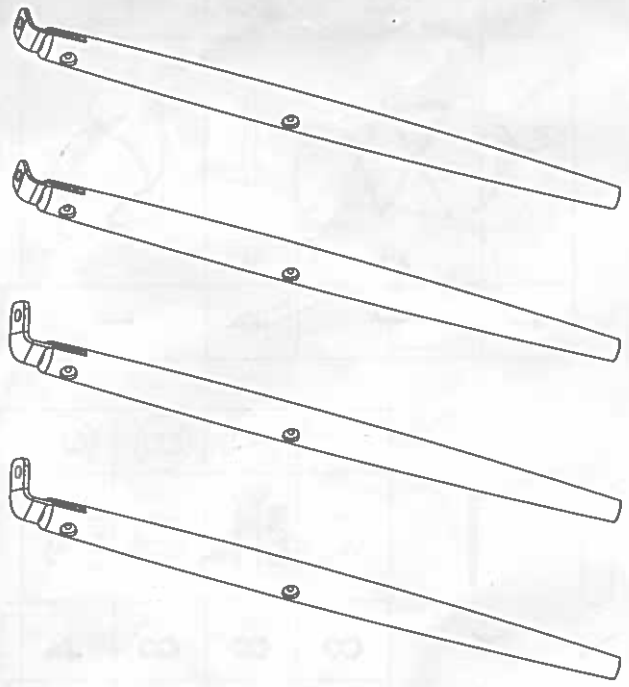


! put the screws from the side with countersunk holes

Put one end in square into wooden leg

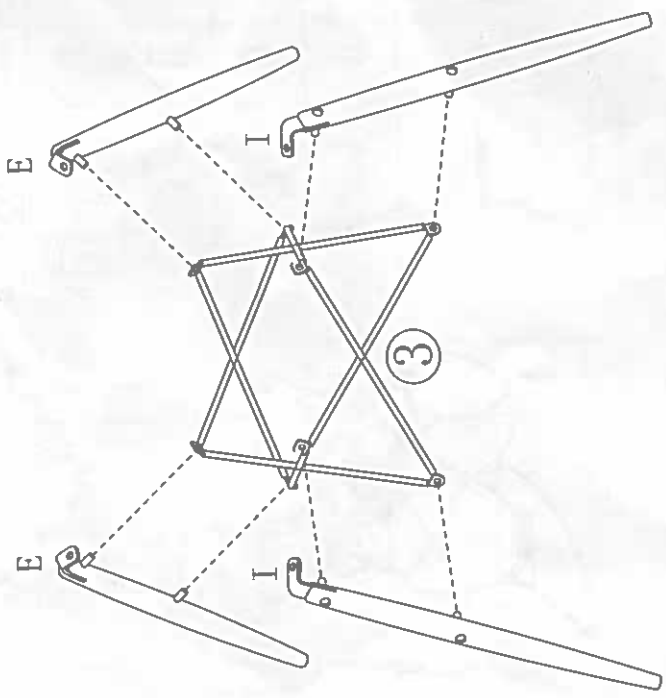
2

2、Put 4 legs in same way, then finished as picture showed.



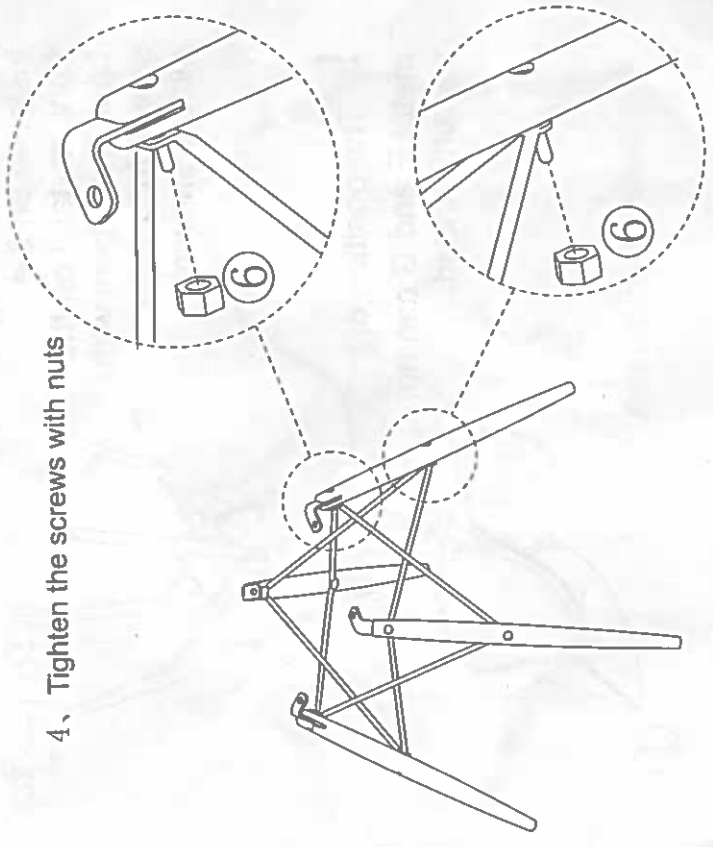
3

3、 there are numbers on iron plate, assemble wood les and Reinforced frames in accordance with figure No. sort



4

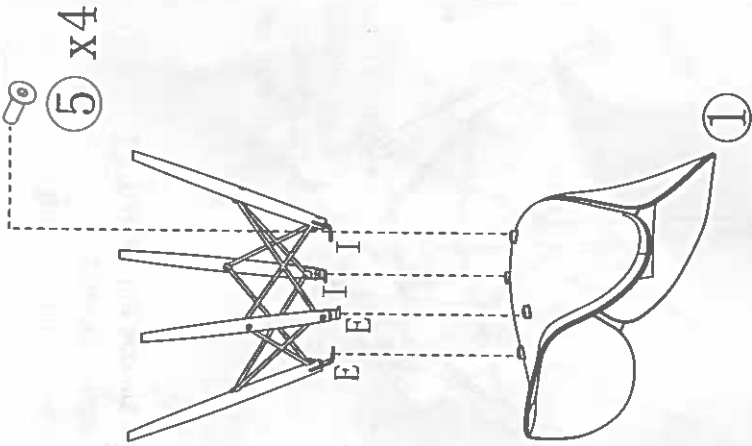
4、 Tighten the screws with nuts



5

5. The metal with E installed on the front, metal I on the back, fixed them with screw, follow the picture showing.

! The position of metal E and G can not be confounded.



6

6. Put the protect cap on the nut

