





**i**

 **x1**

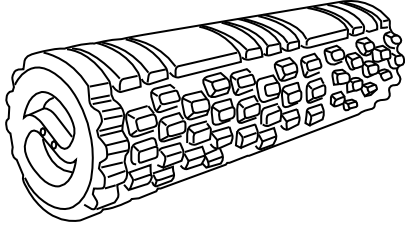

 **1 min**




 [www.my-unilux.com](http://www.my-unilux.com)


**A**

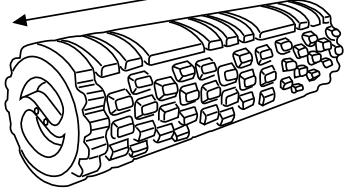
**x1**

✓



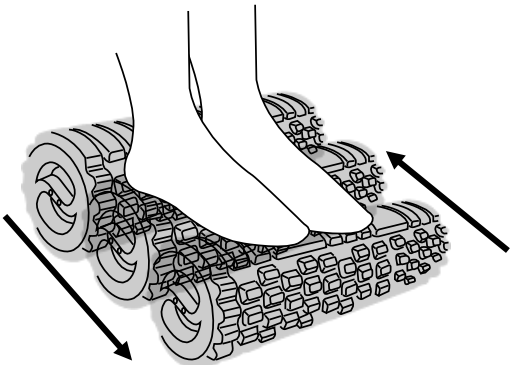
 Do not climb and stay standing on the Roller Feet



44 cm

14 cm

**MASSING FOOT REST** Roller Feet is using Reflexology




Do forward and backward movements without shoes.

**Benefits of the reflexology :**

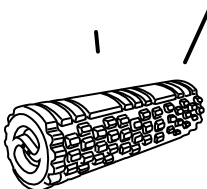
- Bring relaxation
- Release stress and nervous tensions
- Energize the body
- Harmonize vital function /Immune system and digestive disorders
- Functional disorders

**HOW TO WASH IT ?**

**PVC plastic**



Use water and soap with a delicate textile to clean the surface of the Roller Feet.



Your roller feet is clean now !

The Roller feet can support until 120 Kilos.

