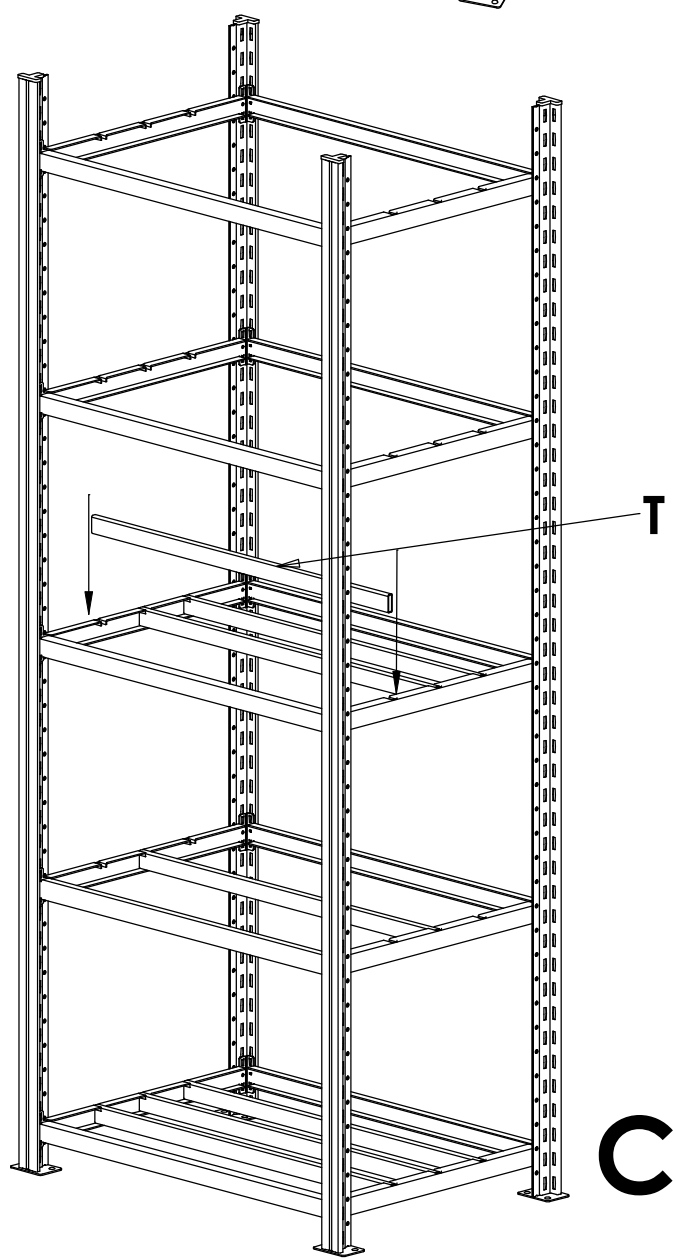
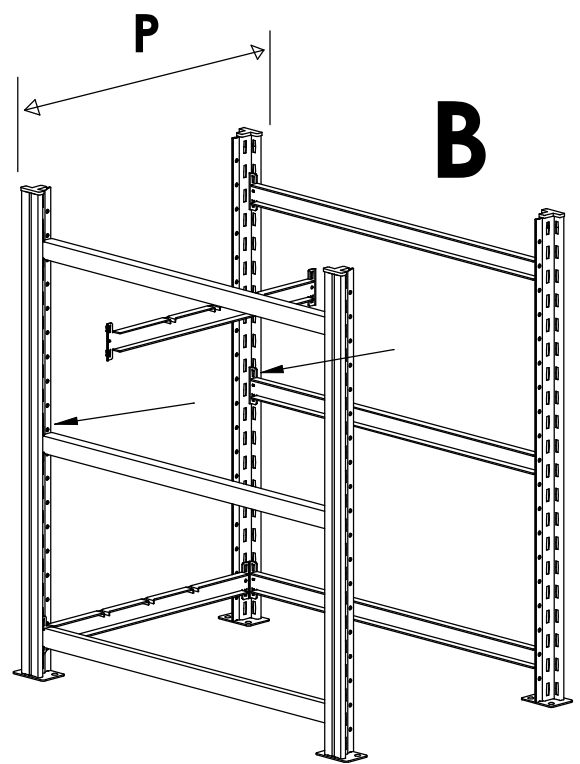
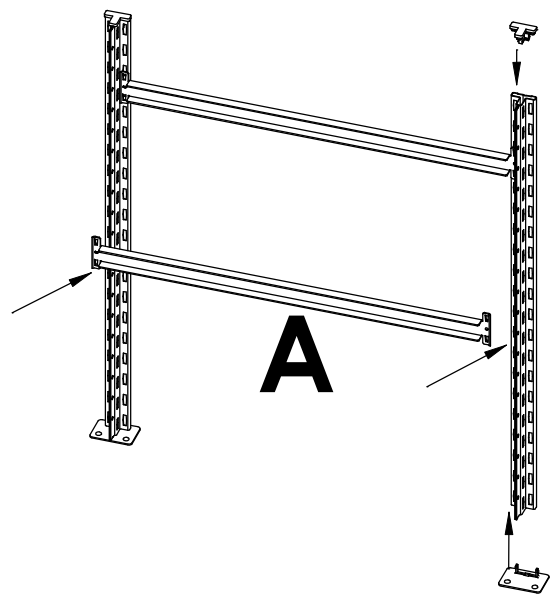


# PROSPACE+ TUBULAIRE

P	T
300 - 350 - 400	1
500	2
600 - 700 - 800	3
1000	5



**OPTIONS**

N - A013 - 11 | A