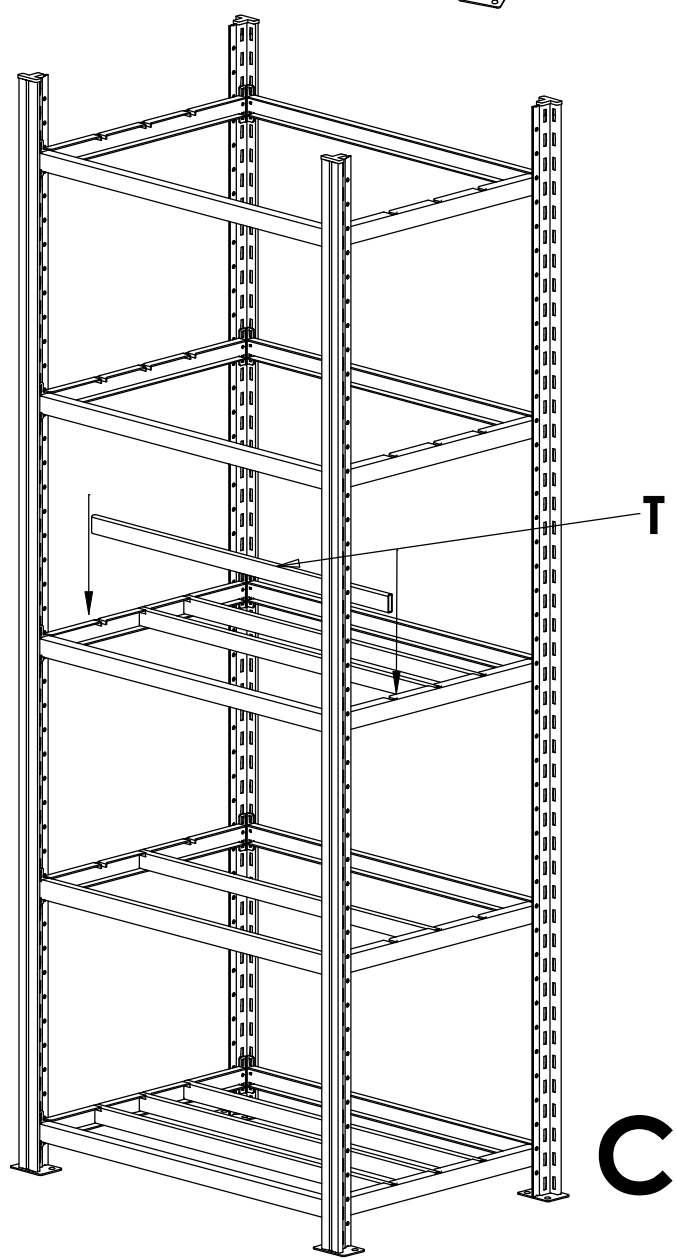
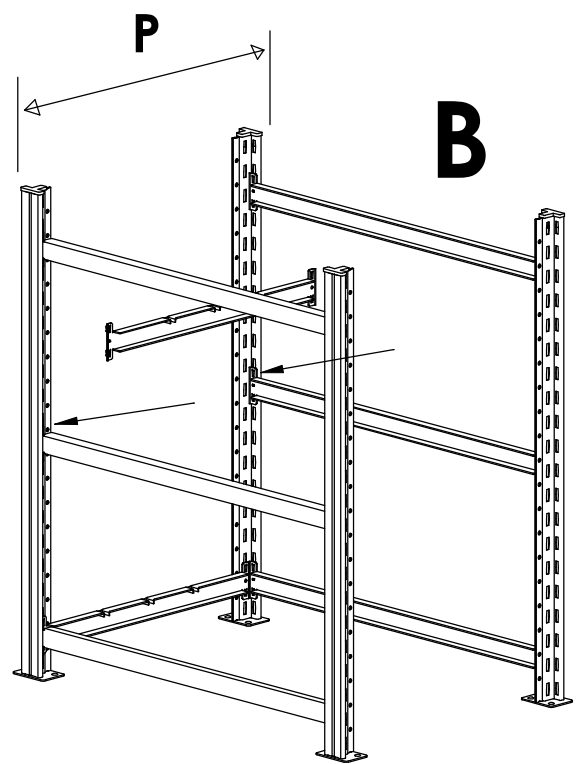
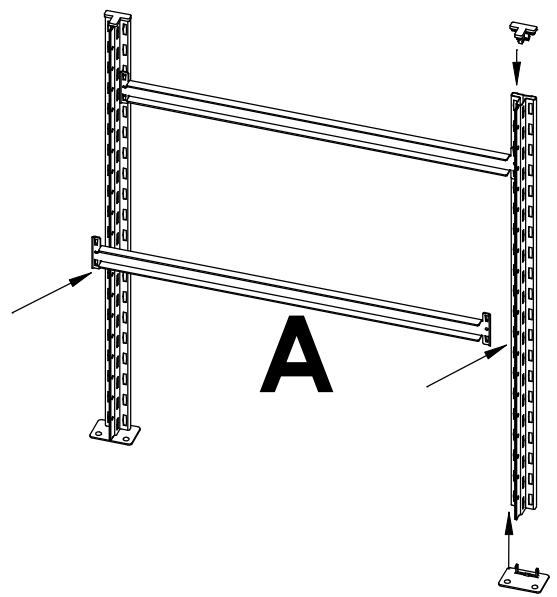


# PROSPACE+ TUBULAIRE

| P               | T |
|-----------------|---|
| 300 - 350 - 400 | 1 |
| 500             | 2 |
| 600 - 700 - 800 | 3 |
| 1000            | 5 |



**OPTIONS**

N - A013 - 11 | A