

Technaxx[®] * User Manual

UV Anti-Virus Disinfection Box TX-148

With wireless charging

The manufacturer Technaxx Deutschland GmbH & Co.KG hereby declares that this device, to which this user manual belongs, complies with the essential requirements of the standards referred to the Directive

RED 2014/53/EU. The Declaration of Conformity you find here:

www.technaxx.de/ (in bar at the bottom “Konformitätserklärung”).

Before using the device the first time, read the user manual carefully.

Service phone No. for technical support: 01805 012643 (14 cent/minute from German fixed-line and 42 cent/minute from mobile networks).

Free Email: **support@technaxx.de**

Keep this user manual for future reference or product sharing carefully.

Do the same with the original accessories for this product. In case of warranty, please contact the dealer or the store where you bought this product.

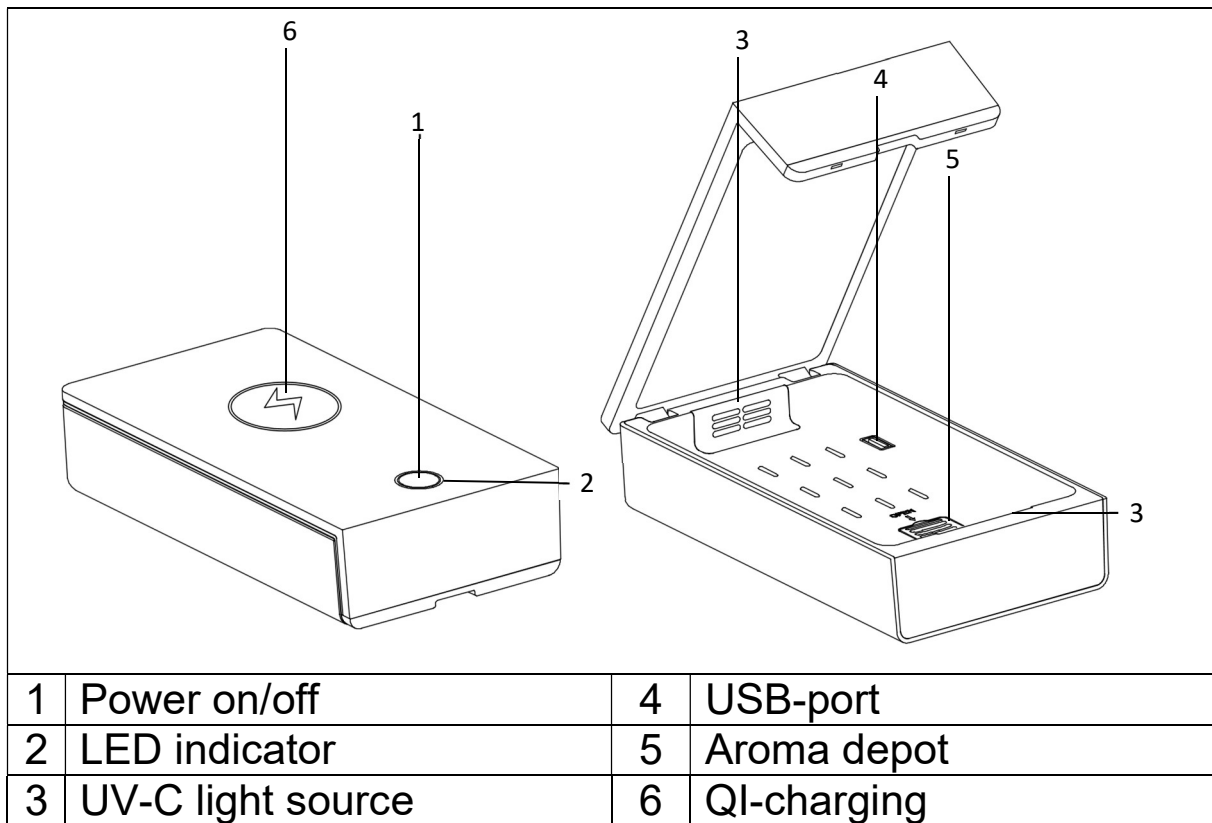
Warranty 2 years

Enjoy your product. *Share your experience and opinion on one of the well-known internet portals.

Features

- UV-C light with up to 99.9% sterilization efficiency
- Kills all common bacteria & viruses
- For smartphones up to 6.5”
- Only 10 Minutes for one utilisation
- With Qi-charging at the top of the box
- Aroma oil chamber

Product details



Power on/off

Plug the charging cable in a USB-charging port and connect it with the device. The buzzer gives “Click” sound twice. Now the device is ready for disinfecting your things be placed inside.

NOTE: The USB charger* should provide minimum 5V/2A DC.
(*USB charger not included)

Disinfection

To start the disinfection, place the object (Smartphone, etc) inside the box. Close the box and press the on button (1). The indicator starts with a red light and the buzzer gives out the sound “Click” to start Ultraviolet (UV) ray disinfection. When the disinfection reaches 30%, the indicator light turns blue. When the disinfection reaches 60%, indicator light turns green. The indicator turns off when finished. The buzzer gives the sound “Click” three times and the disinfection ends. The total time is approximate 10 minutes. Press the on/off button to stop the disinfection anytime.

NOTE: The box needs to be closed completely. Open the box before finished disinfection will interrupt the progress.

Aroma usage

To use an aroma for your bad smelling things placed inside, put 3-6 drops of your favourite aroma oil into the aroma depot. Use aroma oil based on water only.

Wireless charging

To use wireless charging, locate your phone on top of the closed box at the circled spot (6). Wireless charging provides 5V/1A. While disinfection is in on state, wireless charging is not supported.

Technical specifications

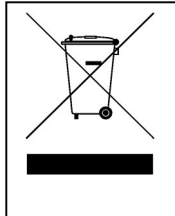
Input voltage	DC 5V/2A
USB port	5V/1 A
Wireless charging	5W
Wavelengths UV-light	253.7nm
Material	ABS
Weight / dimension	330g / (L)197 x (W)110 x (H)46mm
Package content	Technaxx TX-148, charging cable, cleaning cloth, user manual

Troubleshooting

● If the disinfection doesn't start, please be sure, you attached the power cable to a power source with minimum 5V/2A output. ● Be sure the box is closed completely ● Do not fill more than 6 drops of aroma in the aroma depot ● If wireless charging doesn't work well, place your phone a little bit more beside the circled spot.

Warnings

- Do not look directly into the UV light
- Do not remove any cover to avoid the risk of an electric shock or other damages.
- Do not attempt to disassemble the device, it may result in short-circuit or even damage.
- Do not drop or shake the device, it may break internal circuit boards or mechanics.
- Keep the device in dry and ventilated environment.
- Avoid high humidity and high temperature.
- Do not expose this device to rain or moisture to reduce the risk of fire or electrical shock. The device should not be exposed to dripping or splashing.
- Keep the device away from little children.
- Do not use aroma oil based on alcohol.



Hints for Environment Protection: Packages materials are raw materials and can be recycled. Do not disposal old devices or batteries into the domestic waste. **Cleaning:** Protect the device from contamination and pollution. Avoid using rough, coarse-grained materials or solvents/aggressive cleaner. Wipe the cleaned device accurately. **Distributor:** Technaxx Deutschland GmbH & Co.KG, Kruppstr. 105, 60388 Frankfurt a.M., Germany