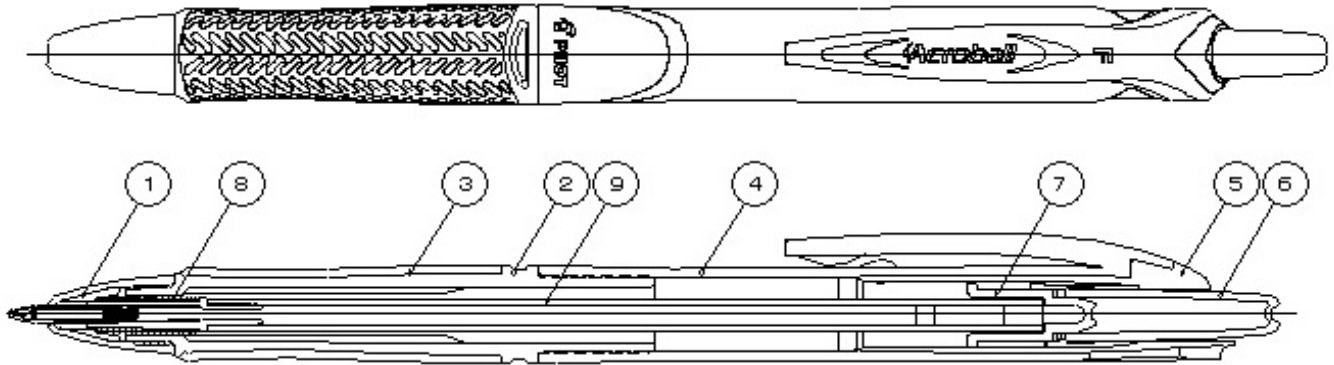


BPAB-15F/M Specifications



Parts and materials

No.	Parts	Materials	Colours
1	Mouth piece	PC plastic	Transparent black, Transparent red, Transparent blue, Transparent pink, Transparent sky blue, Transparent yellow
2	Under barrel	PP plastic	Silver
3	Rubber grip	Elastomer rubber(Hs:50)	Black, Red, Blue, Pink, Sky blue, Yellow
4	Upper barrel	PC plastic / Logo print	Transparent black, Transparent red, Transparent blue, Transparent pink, Transparent sky blue, Transparent yellow
5	Inner upper barrel	PC plastic	Silver
6	Knob	ABS plastic	Transparent black, Transparent red, Transparent blue, Transparent pink, Transparent sky blue, Transparent yellow, Black, Red, Blue
7	Revolution cam	POM plastic	
8	Coil spring	Hard drawn steel wires	
9	Refill	BRFV-10F/M	Ink colours:Black / Red / Blue

Performance

	Write-out distance	Width of stroke
Ball dia. 0.7mm (Fine)	800m	0.28mm
Ball dia. 1.0mm (Medium)	700m	0.32mm