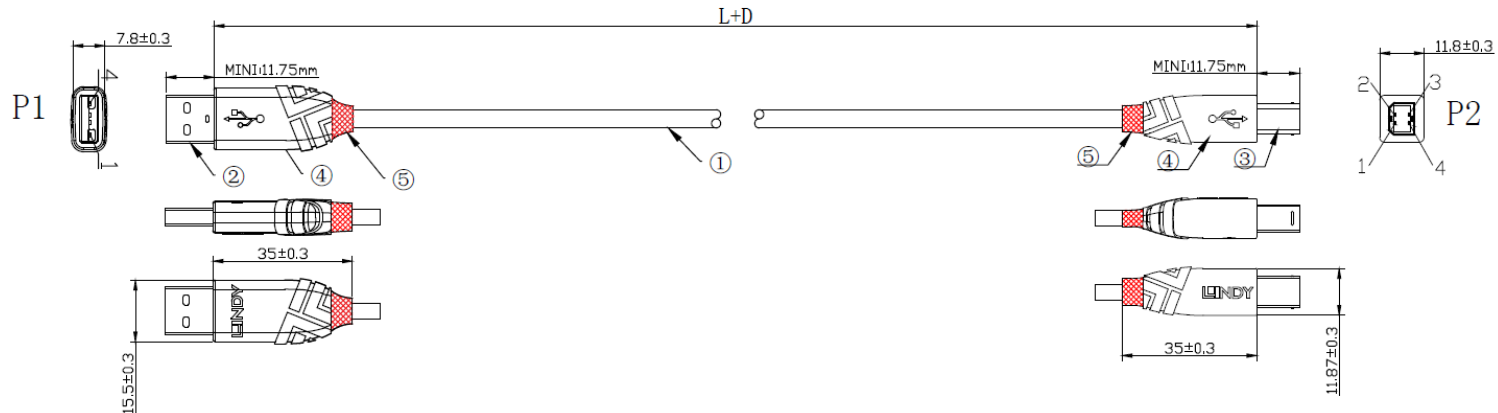


# LINDY PRODUCT SPECIFICATION (1 OF 2)

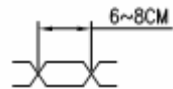
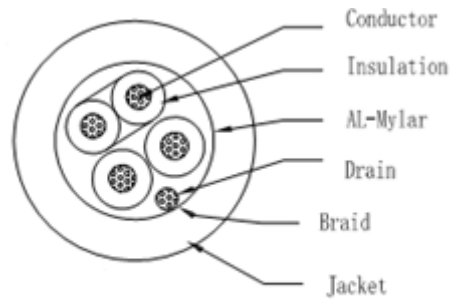
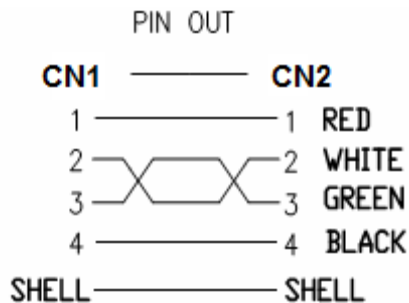
Length	Polybag Size	Label Type	Product Number
0.2m	FP1	LAS	36680
0.5m	FP1	LAS	36681
1m	FP2	LAS	36682
2m	FP2	LAS	36683
3m	FP2	LAS	36684
5m	FP2	LAS	36685



CABLE PRINTING: LINDY Anthra Line USB 2.0 Cable lindy.com E330337  
AWM Style 2725 80°C 30V VW-1

- 2. ELECTRICAL**
- 2.1 100% OPEN AND SHORT TEST
  - 2.2 HI-POT: DC300V/0.01S
  - 2.3 INSULATION RESISTANCE: 5MΩ<sub>min</sub>
  - 2.4 CONDUCTOR RESISTANCE: 2ohm

A	B	Function
---	---	----------



**Product Name: USB 2.0 Type A to B Cable, Anthra Line**

- Connector P1: USB 2.0 Type A Male, gold flash contacts, nickel plated shell
- Connector P2: USB 2.0 Type B Male, gold flash contacts, nickel plated shell
- Cable: 28AWG(7/0.127±0.008TC)\*1P+26AWG(7/0.16±0.08TC)\*2C+AL/MY+D(7/0.1BC)+ B(16/3/0.12ALM), Cool Grey 2C PVC Jacket OD: 4.4mm
- Cable Colour: Cool grey 2C
- Connector Colour: Cool Grey 2C
- Grommet: red (Pantone No. 2035C)

**Product Compliance:**  
CE, UKCA, RoHS, REACH (Art. 33, Anx 17), POP, CP65, UL (raw cable)

Alterations	Issue	Date	BY	GB	DE
New template, updated drawing, electrical test information, compliance and cable printing (removed RoHS, added VW-1)	4	06.08.21	JA		JA

Drawn By: ML, 19.01.2018

All connectors viewed from front

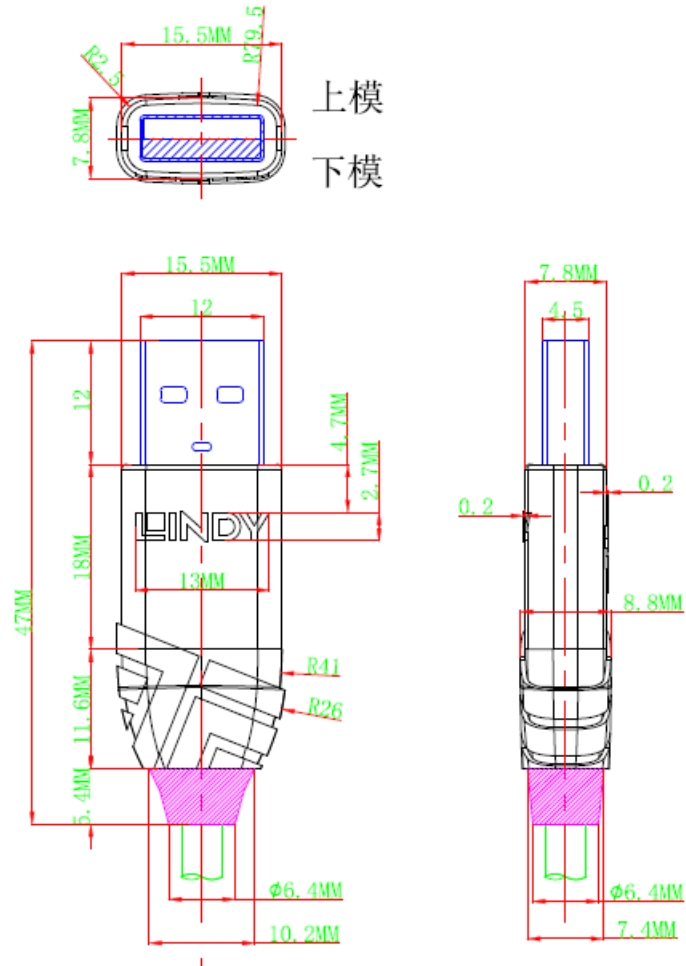
**Tolerances:**  
Overall Length 0% +10%  
Conductor +/- 0.01 mm per core

© Lindy group. All rights reserved. [lindy.com](http://lindy.com)

# LINDY PRODUCT SPECIFICATION (2 OF 2)

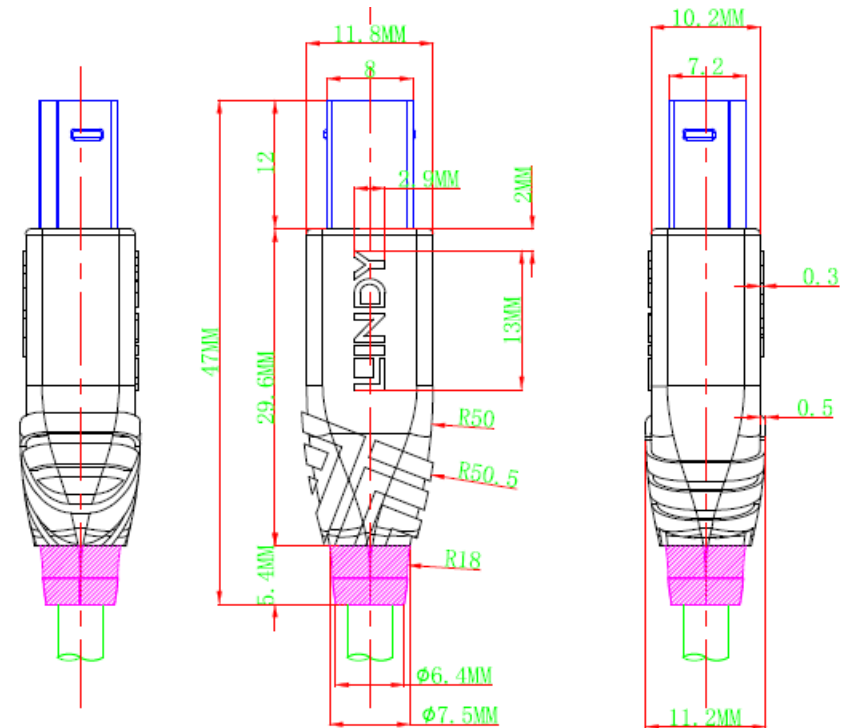
Product Number

## Additional Imagery USB Type A:



上模  
下模

## Additional Description USB Type B:



36680  
36681  
36682  
36683  
36684  
36685