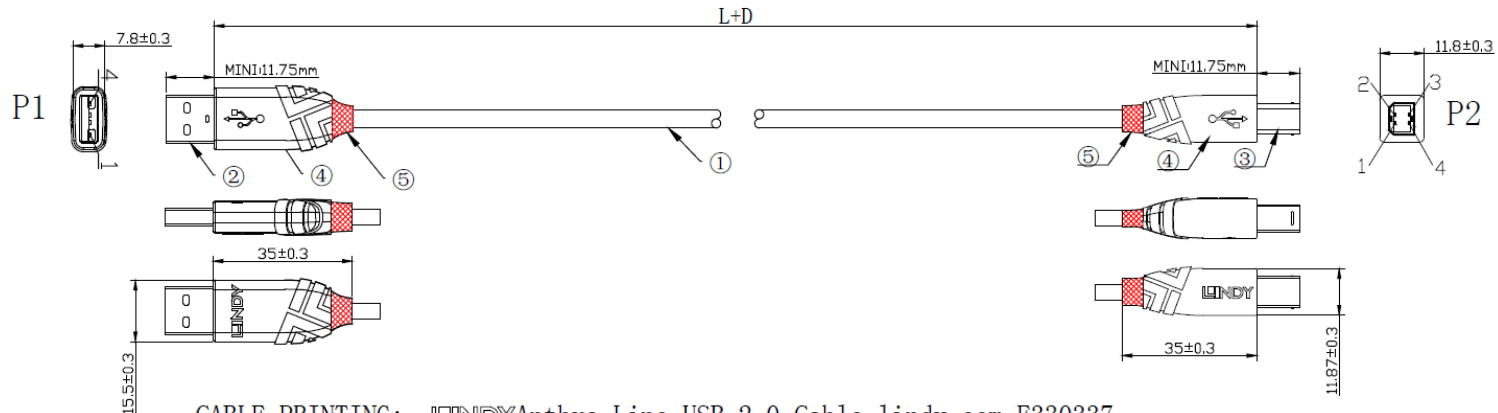


LINDY PRODUCT SPECIFICATION (1 OF 2)

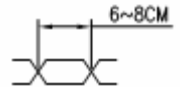
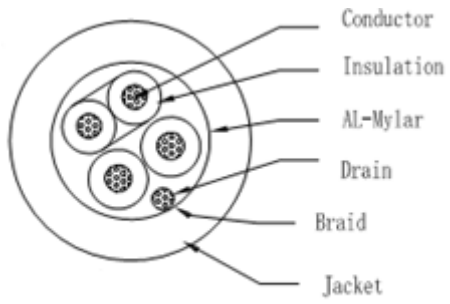
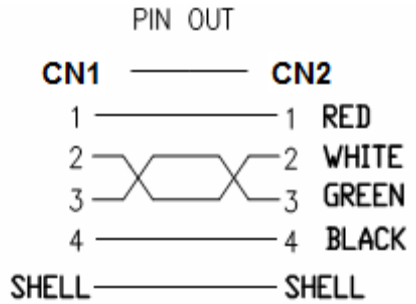
Length	Polybag Size	Label Type	Product Number
0.2m	FP1	LAS	36670
0.5m	FP1	LAS	36671
1m	FP2	LAS	36672
2m	FP2	LAS	36673
3m	FP2	LAS	36674
5m	FP2	LAS	36675



CABLE PRINTING: LINDY Anthra Line USB 2.0 Cable lindy.com E330337
AWM Style 2725 80°C 30V VW-1

- 2. ELECTRICAL**
- 2.1 100% OPEN AND SHORT TEST
 - 2.2 HI-POT: DC300V/0.01S
 - 2.3 INSULATION RESISTANCE: 5MΩ_{min}
 - 2.4 CONDUCTOR RESISTANCE: 2ohm

A	B	Function
---	---	----------



- Product Name: USB 2.0 Type A to B Cable, Anthra Line**
- Connector P1: USB 2.0 Type A Male, gold flash contacts, nickel plated shell
 - Connector P2: USB 2.0 Type B Male, gold flash contacts, nickel plated shell
 - Cable: 28AWG(7/0.127±0.008TC)*1P+26AWG(7/0.16±0.08TC)*2C+AL/MY+D(7/0.1BC)+ B(16/3/0.12ALM), Black PVC Jacket OD: 4.4mm
 - Cable Colour: black
 - Connector: PVC Cool Grey 11 C
 - Grommet: PVC red (Pantone No. 2035C)

Product Compliance:
CE, UKCA, RoHS, REACH (Art. 33, Anx 17), POP, CP65, UL (raw cable)

Alterations	Issue	Date	BY	GB	DE
New template, updated drawing, electrical test information, Compliance and cable printing (removed RoHS added VW-1), Pantone	3	06.08.2021	JA		JA

Drawn By: ML, 19.01.2018

All connectors viewed from front

Tolerances:
Overall Length 0% +10%
Conductor +/- 0.01 mm per core

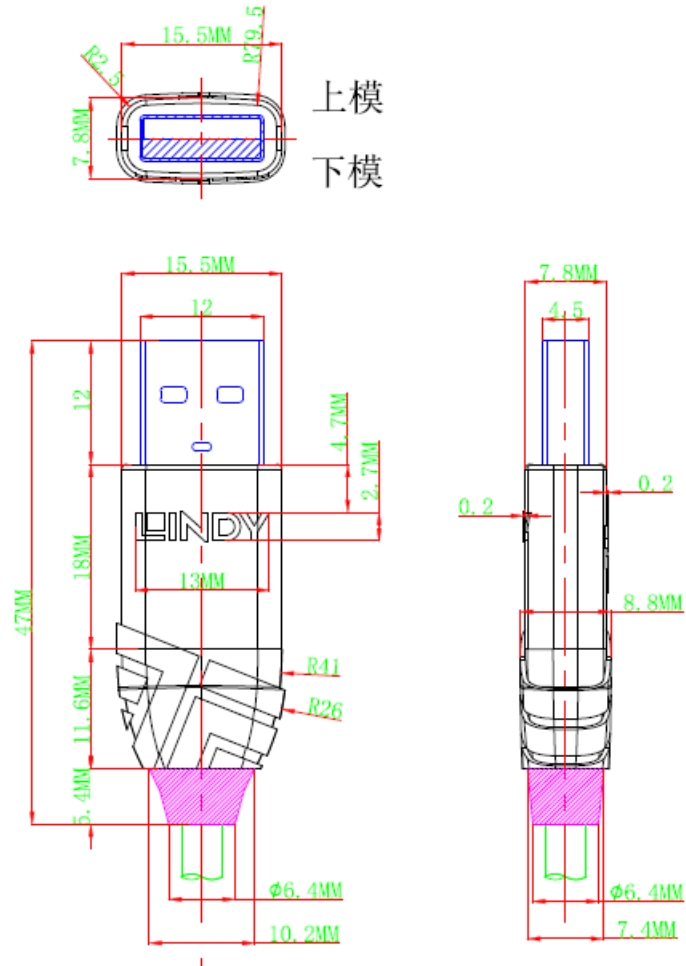
© Lindy group. All rights reserved. lindy.com



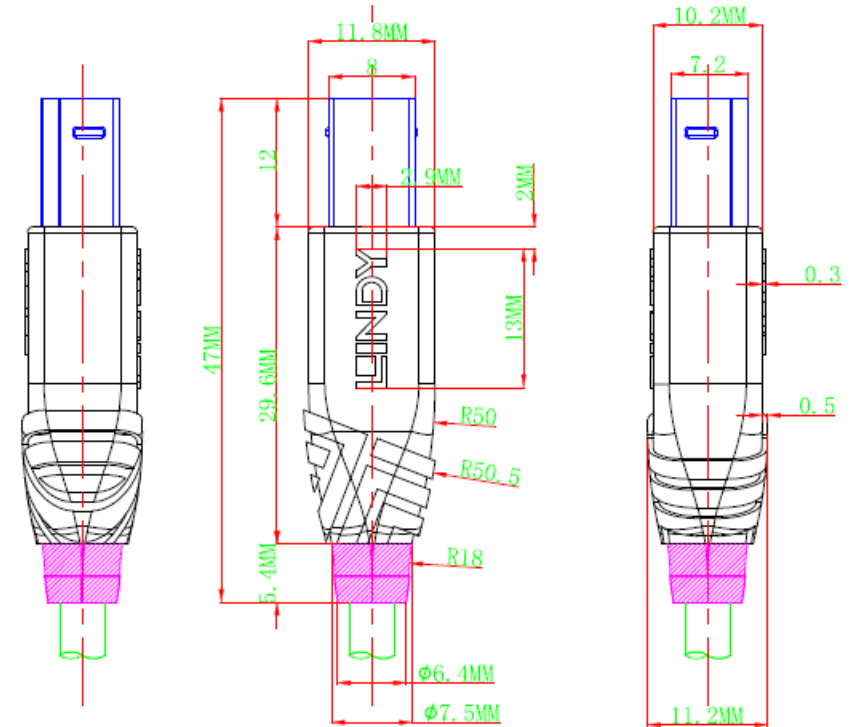
LINDY PRODUCT SPECIFICATION (2 OF 2)

Product Number

Additional Imagery USB Type A:



Additional Description USB Type B:



36670
36671
36672
36673
36674
36675