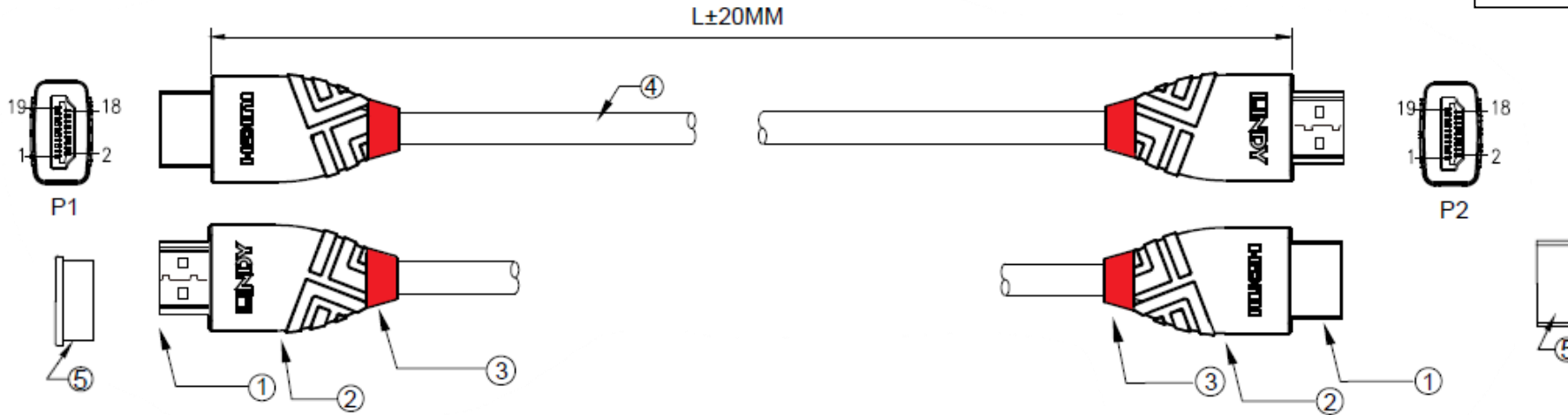


LINDY PRODUCT SPECIFICATION (1 OF 2)

Length	Polybag Size	Label Type	Product Number
5m	FP3	LBM	36474

LINDY HIGH SPEED HDMI™ CABLE WITH ETHERNET Black Line HDMI Cable lindy.com RoHs E344313 AWM STYLE 20276 80°C 30V VW-1

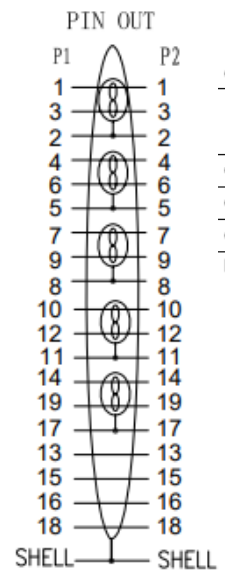


A	B	Function
---	---	----------

Product Name: High Speed HDMI Cable, Black Line

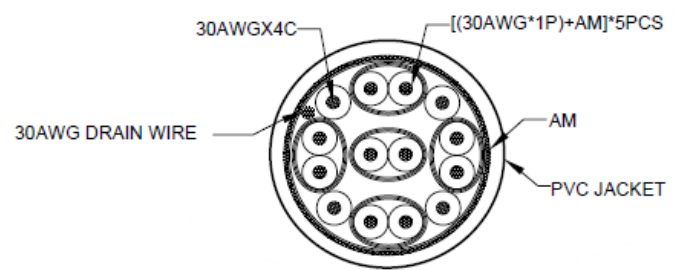
- Connector: 2 x HDMI 19 pin male metal connector with gold plated pins & nickel plated shell
- Cable: (30AWG*1P+AM)*5C+30AWG*4C+D(1/0.254CCS)+AM UL 20276
- Material: PVC, OD: 5.5mm
- RoHS & Reach, California Proposition 65 compliant, Cable UL compliant

Packaging: Lindy Polybag and label With HDMI Logo as above



No.	PART NAME	DESCRIPTION	QTY
⑤	DUST COVER	PE, COLOR: TRANSPARENT	2
④	CABLE	(1/0.254CCS*1P+AM)*5PCS+1/0.254CCS*4C+1/0.254CCS+AM+PVC OD:5.5±0.1MM COLOR:BLACK	L
③	OUTER MOLD	PVC COLOR:PANTONE 2035C LINDY RED	2
②	SHELL	PVC COLOR:BLACK	2
①	CONNECTOR	HDMI MALE ,GOLD PLATED PIN,NICKEL PLATED SHELL	2

Alterations	Issue	Date	BY	GB	DE



Drawn By: AH, 30.04.2024

© Lindy group. All rights reserved. lindy.com

All connectors viewed from front

Tolerances:
Overall Length 0% +10%
Conductor +/- 0.01 mm per core

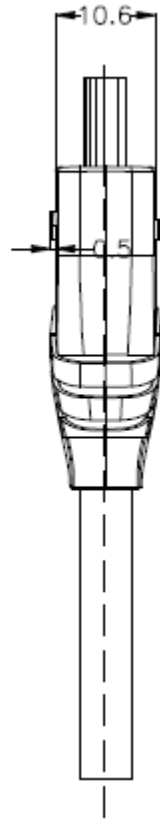
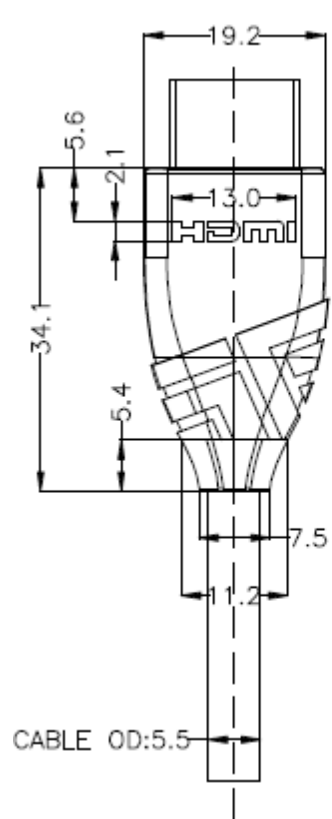


LINDY PRODUCT SPECIFICATION (2 OF 2)

Product
Number

36474

Additional Imagery



All measurements in MM unless
otherwise stated