

**Sedia operative ORION I nera**

**Descrizione**

Esclusiva sedia ergonomica Lyreco con:

- meccanismo sincronizzato
- schienale in rete traspirante con supporto lombare integrato
- seduta in tessuto imbottito e spesso, regolabile tramite pistone a gas
- braccioli 2D regolabili

Utilizzo consigliato: **8 ore al giorno**  
 Peso massimo consigliato: **110 kg**

Garanzia: **5 anni**

**Test Certificates**

EN 1335  
 BS 7176 – low hazard

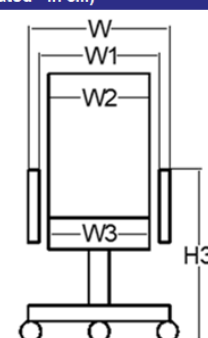
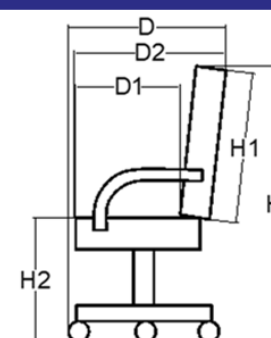
**Accessorio opzionale**

Per il massimo comfort ed ergonomia è disponibile un poggiatesta opzionale, facile da fissare (e rimuovere).

Poggiatesta accessorio: **18.799.864**

**Dimensioni prodotto:**

Product Dimension (as illustrated - in cm)		
Overall Width [W]	67	\
Arms Inner Width [W1]	49.3	\
Seat Width [W3]	51	\
Seat Height [H2] (min/max)	47-55	\
Seat Depth [D1]	52	\
Back Width [W2]	48	\
Back Height [H1]	58	Back height adjustment: 5cm
Chair cushion Depth [D2]	63	\
Arms Height [H3] from floor (min/max)	66-82	seat at low position
Overall Depth [D]	71	\
Overall Height [H] (min/max)	102.5-114	Included back height adjustment of 5cm

Overall Dimensions [D\*W\*H]

D71\*W67\*H102.5-114 CM

**Materiali e componenti:**

Material Name	Material Type	Fire Retardancy
Covering Materials (BACK)	100% polyester Mesh	CA-117
Covering Materials (SEAT)	100% polyester Fabric	BS7176 - low hazard
Foam Density (BACK)	n/a	n/a
Foam Density (SEAT)	25kg/cbm	BS7176 - low hazard

Components	Material Type	Comments
Arms	Polypropylene	2D-Arms / Load capacity 45kg - 441 Newton
Mechanism	Steel	Synchro Mechanism with three-position locking Tilt ; 130 degree
GasLift	Steel	D80 black , class 3 Stroke 80mm, class 3
Base	Nylon	R350
Castors	Polypropylene	50/38 black castors

**Informazioni logistiche:**

Logistic Information	
Selling Unit of Measure	EACH
Number per Products per Carton	1
Carton Size (in cm)	74*38*65.5
Net Weight (in kg)	14.6
Gross Weight (in kg)	16.8