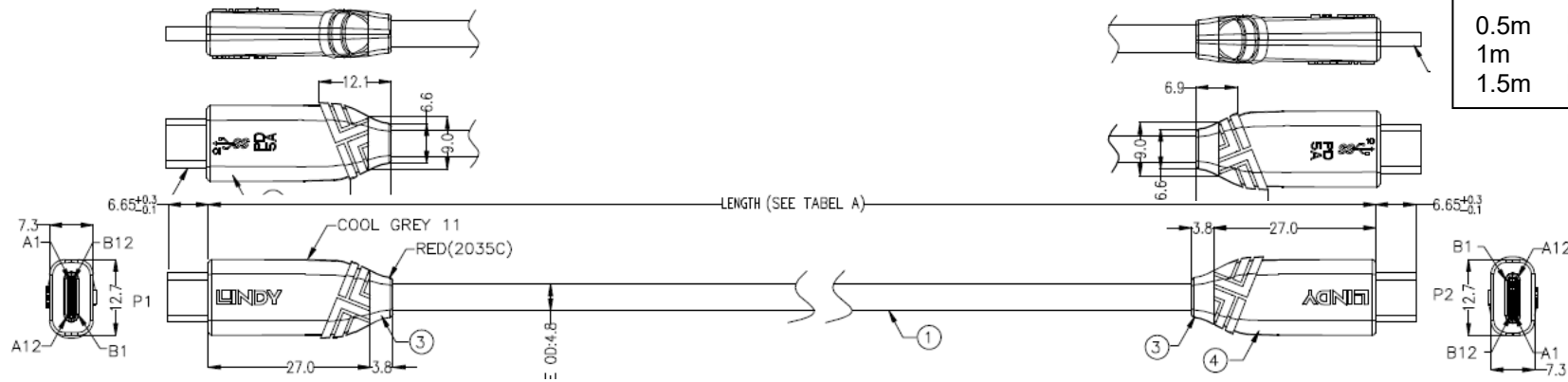


LINDY PRODUCT SPECIFICATION (1 OF 2)

Length	Polybag Size	Label Type	Product Number
0.5m	FP1	LAS	36900
1m	FP1	LAS	36901
1.5m	FP2	LAS	36902



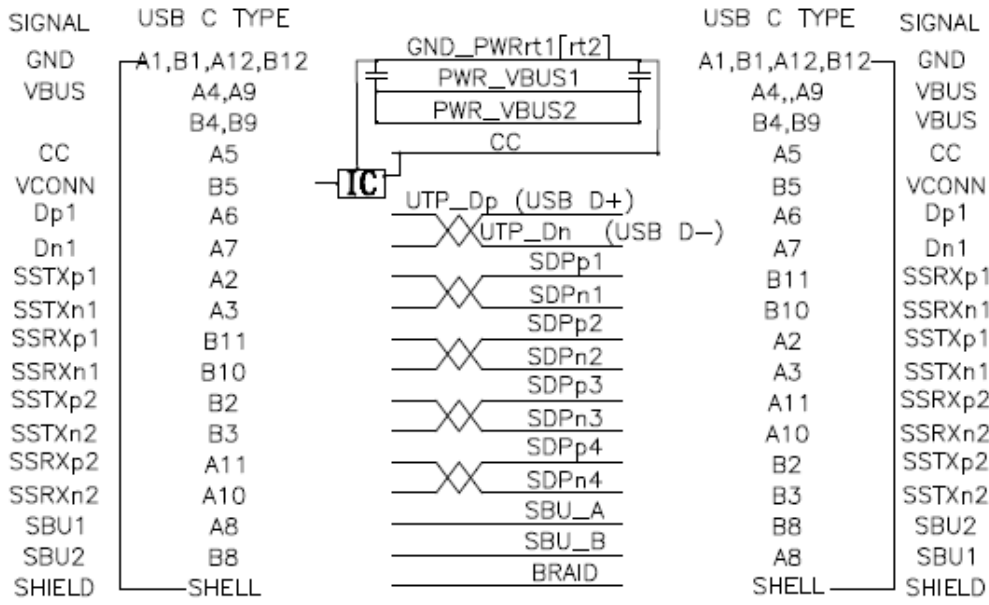
E-Number on cable printing: E337566 or E256295

LINDY Anthra Line USB 3.1 Cable lindy.com RoHS E337566-P AWM STYLE 2725 80°C 30V VW-1 E-Mark

P1

P2

Product Name: USB 3.1 Type C Cable, 5A PD, Anthra Line



Connector 1 : USB 3.1 Type C Male with E-Mark, cool grey / red, gold plated
 Connector 2 : USB 3.1 Type C Male, cool grey 11 / red, gold plated

Cable: USB 3.1 Gen2 (30 AWG*1P+EAM)*4+(32 AWG*1P+AM) + 32 AWG *4C+ 4 AWG*2C+E+TC Braid 85%+PVC Jacket, OD: 4.8mm, UL2725, PVC black

RoHS2 & Reach, California Proposition 65, UL compliant

Packaging: Lindy polybag and label as above

Alterations	Issue	Date	BY	GB	DE
CP 65 update, Housing Drawing added	1	22.11.18	ML	CS	
MM measurement statement added	2	17.12.18	CS		ML
E-number update	3	19.11.19	ML	CS	

Drawn By: ML, 27.02.2017

© Lindy group. All rights reserved. lindy.com

All connectors viewed from front

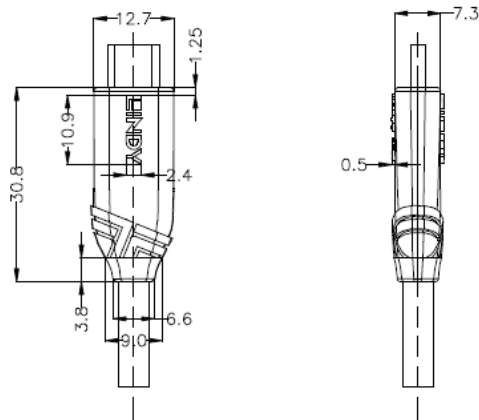


Tolerances:
 Overall Length 0% +10%
 Conductor +/- 0.01mm per core

LINDY PRODUCT SPECIFICATION (2 OF 2)

Product
Number

Additional Imagery USB Type C 5A:



Additional Description

36900
36901
36902

5	CONNECTOR	TYPE C(M),SOLDER TYPE,CONTACT GOLD PLATED. SHELL G/F PLATED,W/O E-MARK	1
4	OVER MOLD	PVC,70P,COLOR:COOL GREY 11	A/R
3	INNER MOLD	PVC,45P,COLOR:RED(2035C)	A/R
2	CONNECTOR	TYPE C(M),SOLDER TYPE,CONTACT GOLD PLATED. SHELL G/F PLATED,WITH E-MARK	1
1	CABLE	USB3.1 UL2725 (30AWG*1P+EAM)*4+(32AWG*1P+AM) +32AWG*4C+24AWG*2C+E+AEB+ PVC JACKET OD:4.8MM BLACK	A/R
No	NAME	MATERIAL DESCRIPTION	Q'TY

NOTES:

1. OPEN/SHORT/INTERMITTENCE 100% TEST.
2. Insulation Resistance: 100V DC/0.01SEC.5MΩ
3. CONDUCTIVE RESISTANCE: 3Ω MAX.
4. RoHS COMPLIANT.
5. MOULD NO.:BY CUSTOMER
6. Current: 5A, Voltage: 20V.
7. A 10 NF Bypass capacitor IS REQUIRED For THE VBUS PIN IN The usb type-c plug END OF THE CABLE.
8. Pin B5 (Vconn) the USB Type-C plug shall be used in electronically marked versions of this cable.
9. TYPE-C Mold size does not conform to industry standards

All measurements in MM unless
otherwise stated