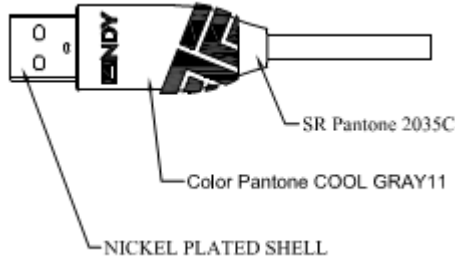
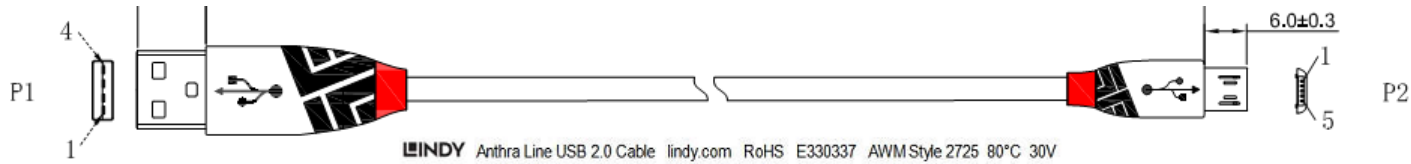
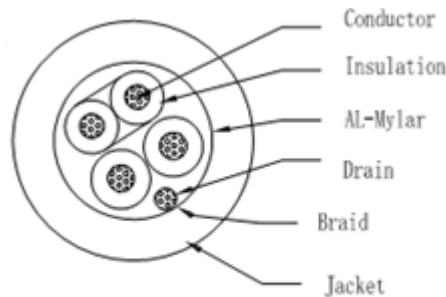
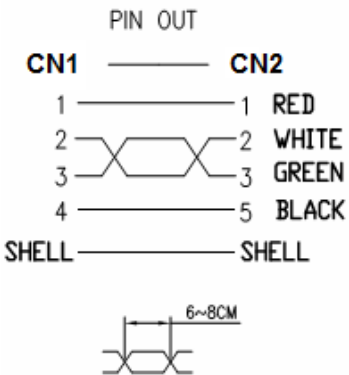


LINDY PRODUCT SPECIFICATION (1 OF 2)

Length	Polybag Size	Label Type	Product Number
0.2m	FP1	LAS	36730
0.5m	FP1	LAS	36731
1m	FP2	LAS	36732
2m	FP2	LAS	36733
3m	FP2	LAS	36734
5m	FP2	LAS	36735



5. ELECTRICAL TEST:
- 5.1 100% OPEN SHORT & MISS WIRE TEST.
 - 5.2 INSULATION RESISTANCE : 300V 5Mohm.
 - 5.3 CONDUCTOR RESISTANCE: 2.0ohm.



Product Name: USB 2.0 Type A to Micro-B Cable, Anthra Line

- USB 2.0 type A Male to USB 2.0 type Micro-B Male, nickel shell + gold plated pins
- AWG: 28/28, OD: 3.5mm, PVC Jacket,
- Cable Colour: black
- Connector Colour: Cool Grey 11
- Grommet: red (Pantone No. 2035C)
- UL certificated: UL 2725, No. E330337
- RoHS & Reach, California Proposition 65 compliant

Packaging: Lindy polybag and label as above

Alterations	Issue	Date	BY	GB	DE
California Proposition 65 added	1	24.09.18	ML	CS	
Housing Drawing added	2	27.11.18	ML	CS	

Drawn By: ML, 19.01.2018

© Lindy group. All rights reserved. lindy.com

All connectors viewed from front

Tolerances:
 Overall Length 0% +10%
 Conductor +/- 0.01mm per core



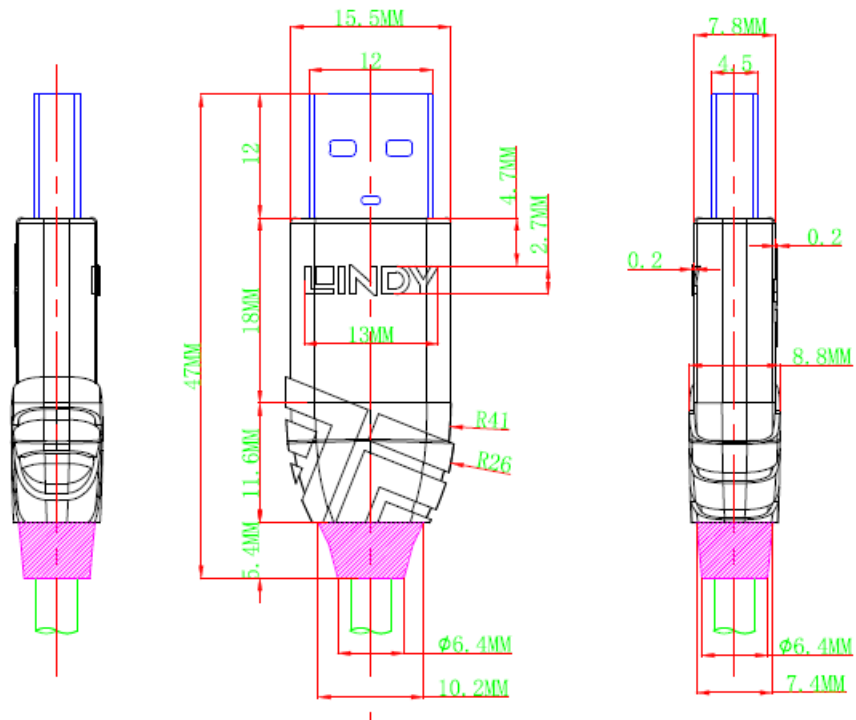
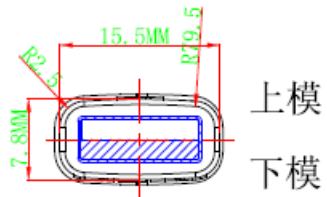
1.1 CONDUCTORS: 28AWG(7/0.127 TC)* 1P + 28AWG(7/0.127 TC)* 2C +AL/MY+D(7/0.10BC)+ B(16/4/0.12ALM), JACKET .OD=Ø3.5 ± 0.2mm

LINDY PRODUCT SPECIFICATION (2 OF 2)

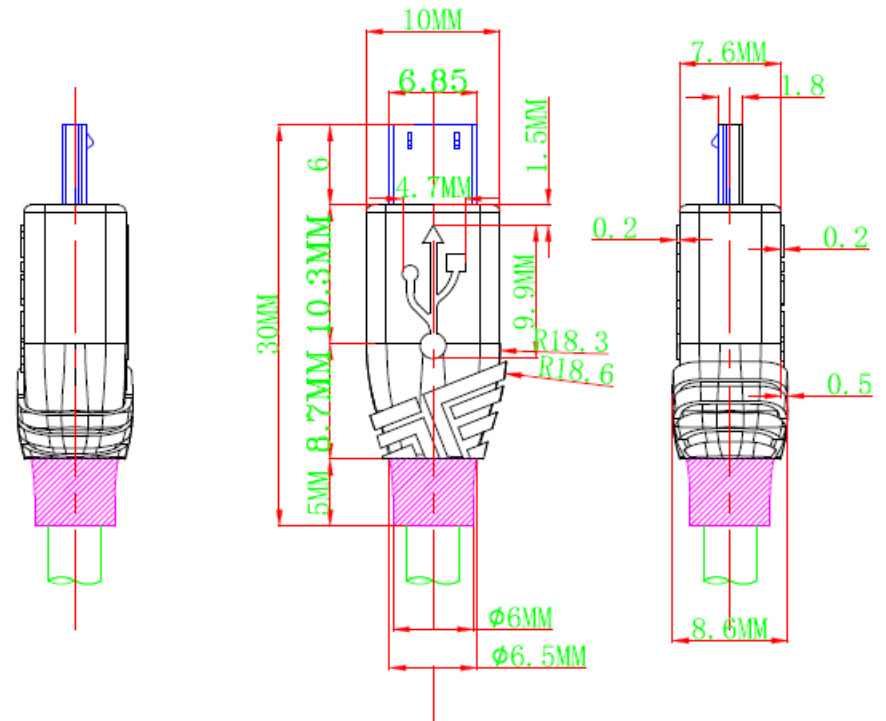
Product Number

Additional Imagery

USB Type A:



USB Type Micro-B:



36730
36731
36732
36733
36734
36735