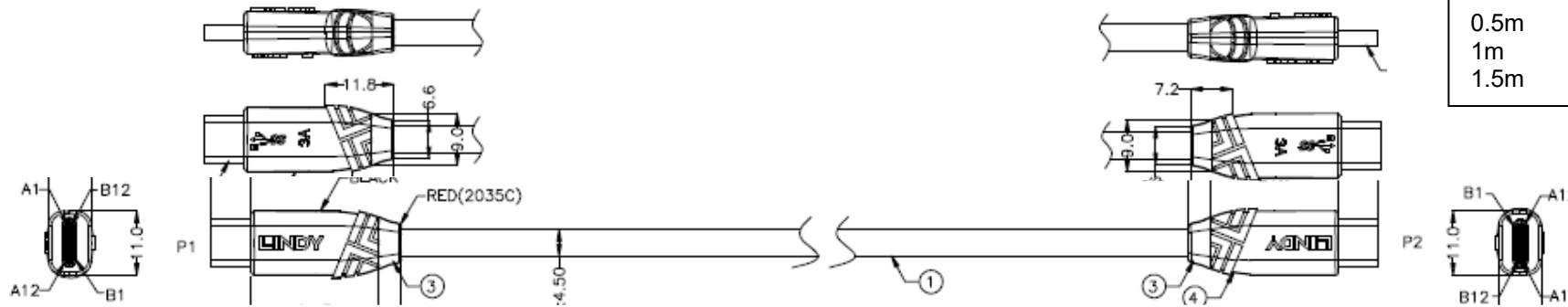
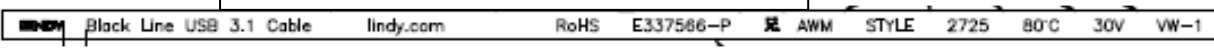


LINDY PRODUCT SPECIFICATION (1 OF 2)

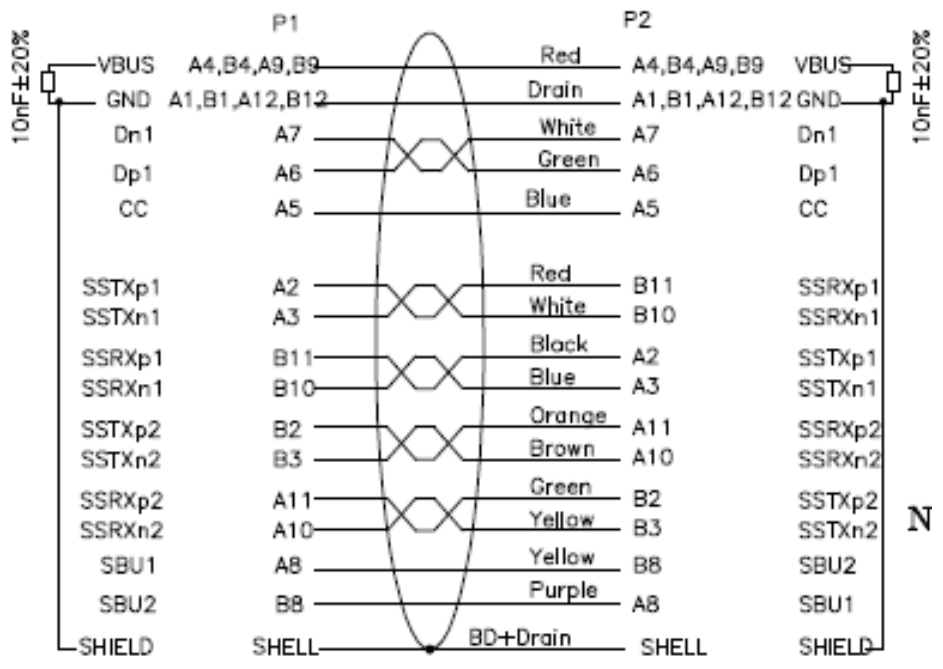
Length	Polybag Size	Label Type	Product Number
0.5m	FP1	LBS	36905
1m	FP1	LBS	36906
1.5m	FP2	LBS	36907



E-Number on cable printing: E337566 or E256295



A B Function



Product Name: USB 3.1 Type C Cable, Black Line

Connector 1 : USB 3.1 Type C Male, black / red, Nickel plated
 Connector 2 : USB 3.1 Type C Male, black / red, Nickel plated

Cable: USB 3.1 Gen2 (32 AWG*1P+DW+AL+HM)*4C+32 AWG*1P+ 32 AWG *4C+ 26 AWG*1C+F+TC Braid 75%+PVC Jacket, OD: 4.5mm, UL2725, PVC black

RoHS2 & Reach, California Proposition 65, UL compliant

Packaging: LINDY Polybag with barcode label (see above)

Alterations	Issue	Date	BY	GB	DE
Updated shell	2	25.09.18	CS		ML
CP 65 update, Drawings Housing added	3	22.11.18	ML	CS	
MM measurement statement added	4	17.12.18	CS		ML
E-number update	5	19.11.19	ML	CS	

Drawn By: ML, 09.05.2018

© Lindy group. All rights reserved. lindy.com

All connectors viewed from front

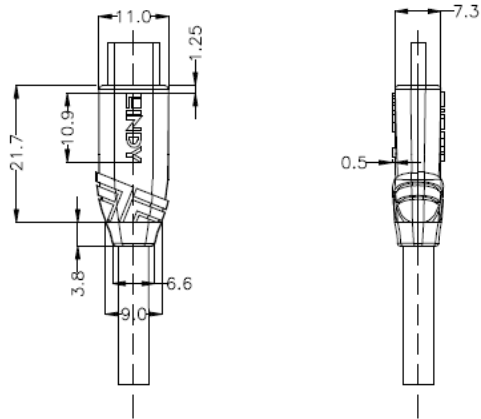
Tolerances:
 Overall Length 0% +10%
 Conductor +/- 0.01mm per core



LINDY PRODUCT SPECIFICATION (2 OF 2)

Product
Number

Additional Imagery USB Type C 3A:



Additional Description

36905
36906
36907

4	OVER MOLD	PVC,70P,COLOR:BLACK	A/R	KG
3	INNER MOLD	PVC,45P,COLOR:RED(2035C)	A/R	KG
2	CONNECTOR	TYPE C(M),SOLDER TYPE,CONTACT GOLD PLATED. SHELL NI PLATED,	2	PCS

NOTES:

- 1.OPEN/SHORT/INTERMITTENCE 100% TEST.
- 2.INSULATION RESISTANCE:300V DC/0.01S,5MQ MIN.
- 3.CONDUCTIVE RESISTANCE:5Ω MAX.

All measurements in MM unless
otherwise stated