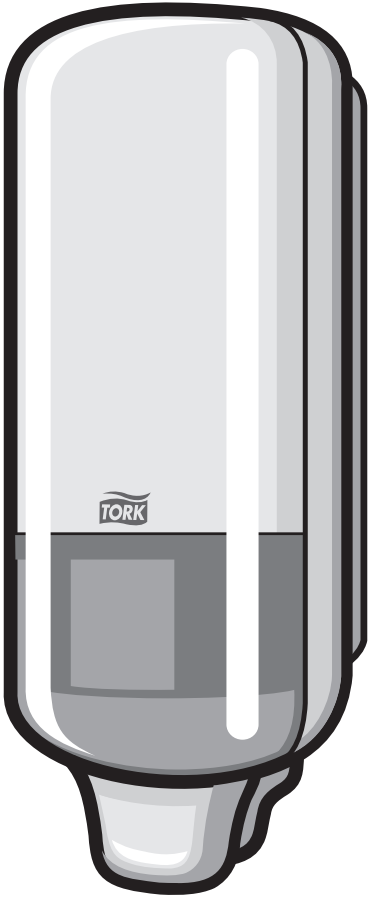


# Tork Liquid and Spray soap Dispenser

Elevation  
Design

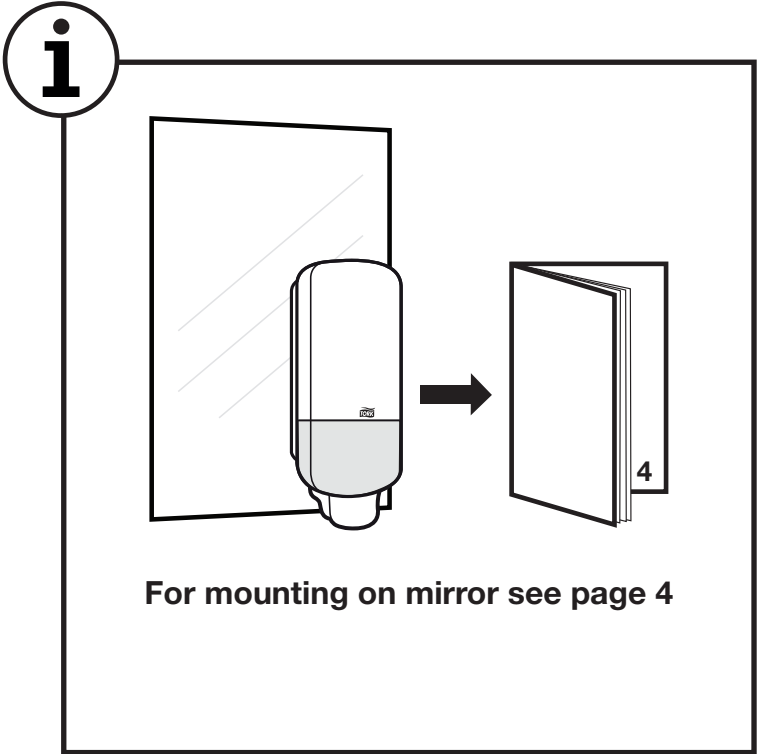
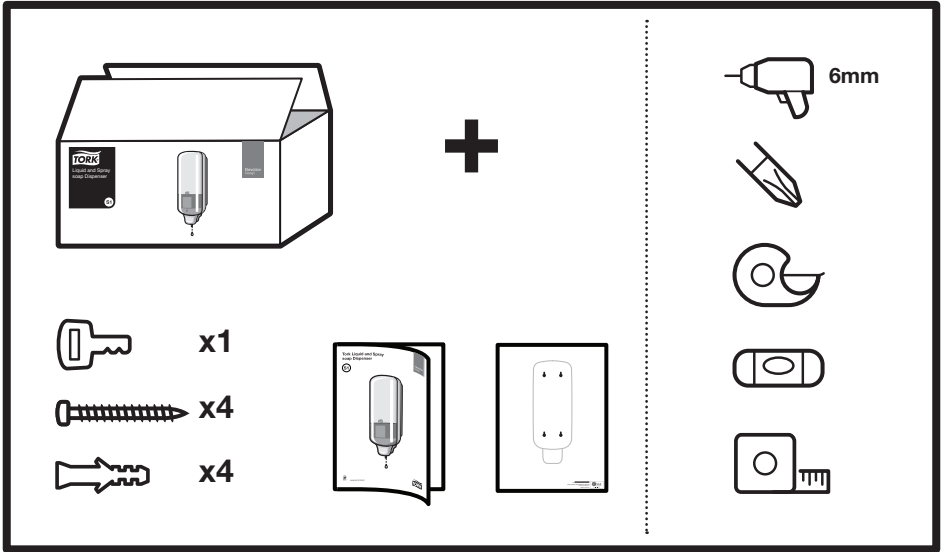
S1 S11



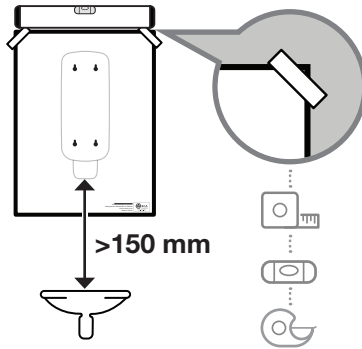
[www.sca-tork.com](http://www.sca-tork.com)



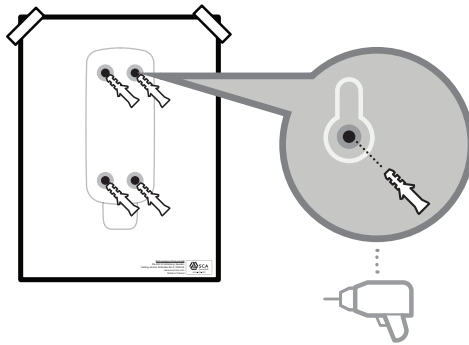
Tork Liquid and Spray soap Dispenser



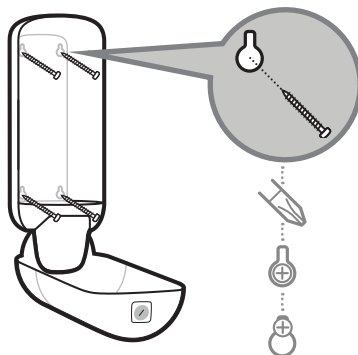
1



2

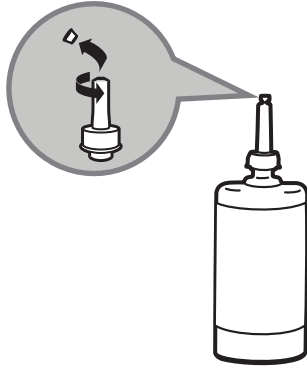


3

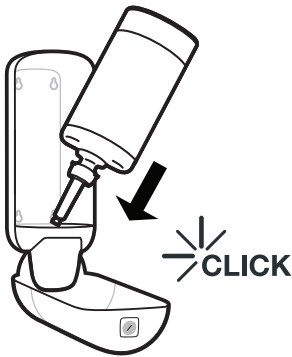


Tork Liquid and Spray soap Dispenser

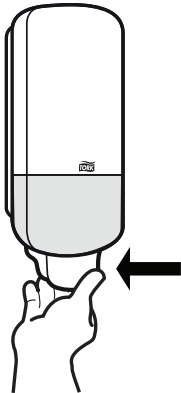
4



5



6

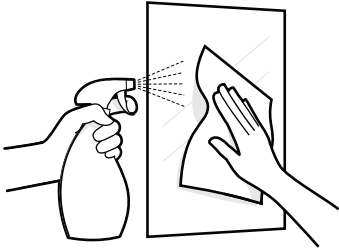


3

**i**

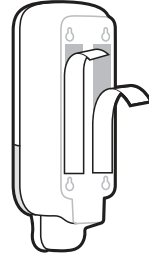
## Mounting on mirror

1



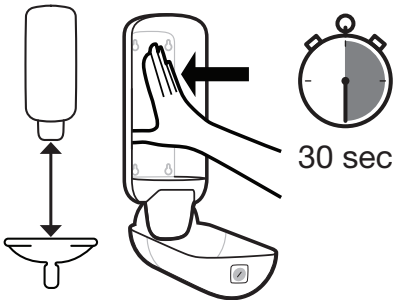
Ensure the mounting surface is flat, clean and dry.

2



Peel the protective liners from the tape exposing the adhesive.

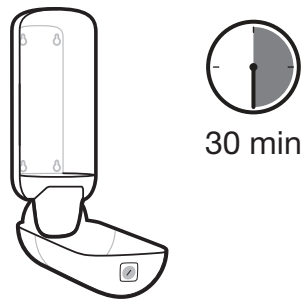
3



>150 mm

Mount the dispenser to the flat surface, press firmly and hold in place for at least 30 seconds.

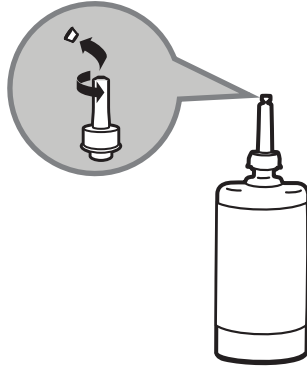
4



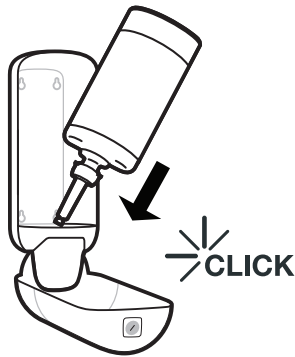
Do not place the refill or batteries in the dispenser for at least 30 minutes.

Tork Liquid and Spray soap Dispenser

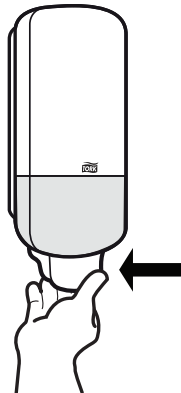
4

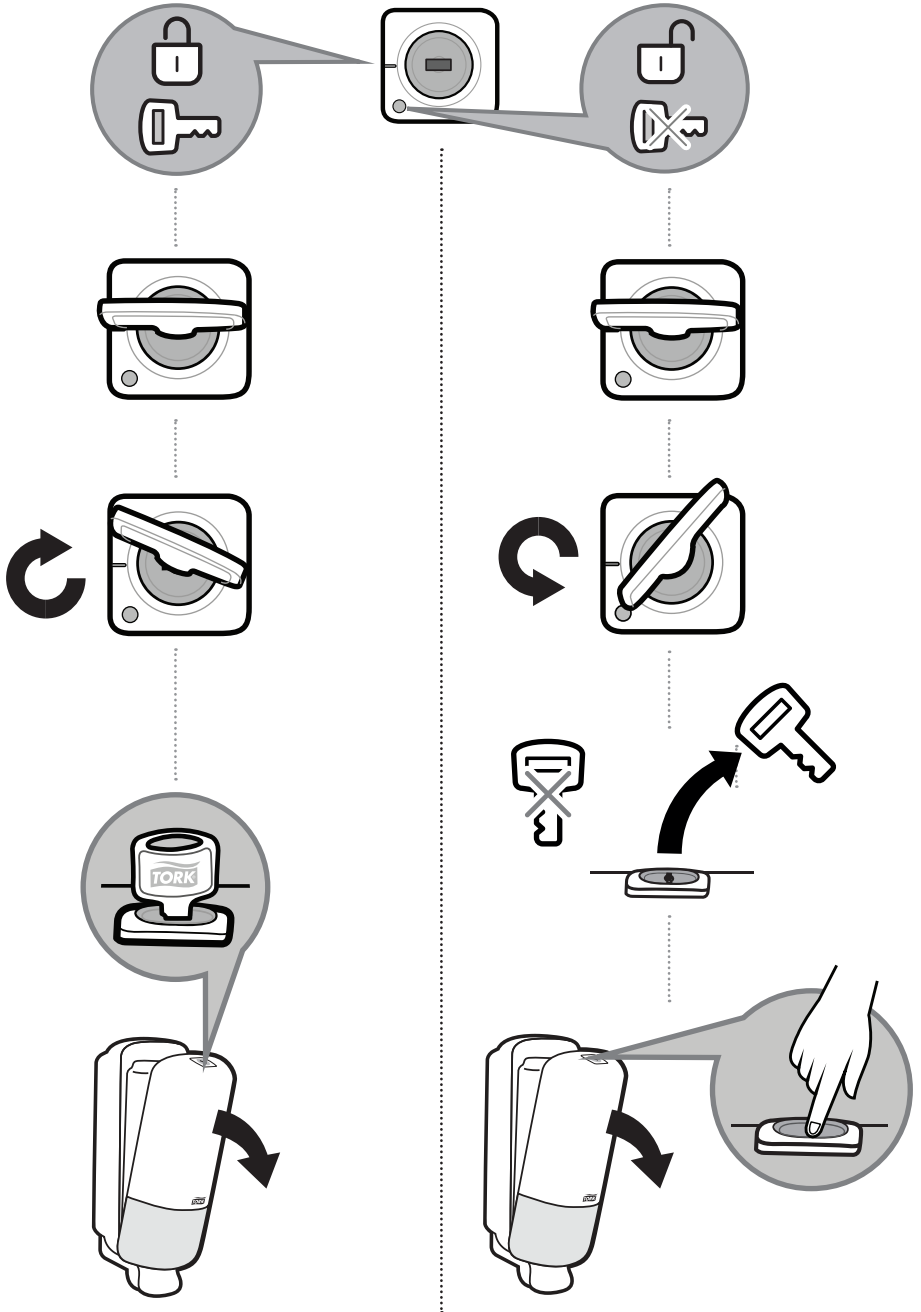


5



6





## Disposal

- **Damaged or malfunctioning product should be disposed of immediately to avoid potential of injury**
- **Products should be disposed of in accordance with applicable regulations**

## Cleaning instructions

- **Clean dispenser with mild detergent and soft cloth**

European Community Design Registration RCD 000929971



SCA Hygiene Products AB  
SE-405 03 Göteborg, Sweden  
Visiting address: Mölndals Bro 2, Mölndal  
[www.sca-tork.com](http://www.sca-tork.com)  
Made in Hungary