

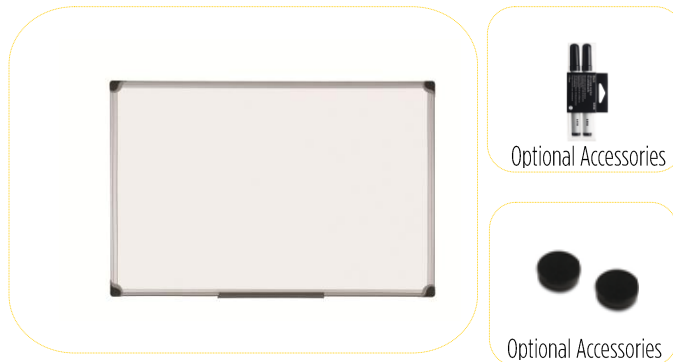
PRODUCT SHORT DESCRIPTION:

Simple and practical whiteboard with special waved corner

FEATURES AND BENEFITS:

- Slim anodised aluminium frame
- Available in three choices of surface
- Non magnetic dryerase surface
- Magnetic coated steel or premium ceramic surface
- Plastic pen tray simply clips onto frame in any position
- Wall fixings supplied

PRODUCT IMAGE:



MARKETING COPY:

A presentation is enhanced by the use of writing text, drawing diagrams and even freehand doodles. The ability to write, erase and re-write information is now a central part to group meetings. Bi-Office has created the widest range of user friendly products that bring life into your meetings, lessons, conferences and training sessions.

APPLICATION AND SALES PROPOSITION:

- Enhanced presentation in a simple and easy way

TARGET MARKET:

CHANNEL: Office products wholesalers, office products stores, other retailers and building contractors
 END USERS: conference centers, hotels, public buildings, public store buildings and private and public buildings in general

ADDITIONAL NOTES:

Other information supports: our official websites, Youtube®, Facebook®, catalogue and online catalogue, demo videos and more.

PROMOTIONAL TIPS:

No specific timing, thus we recommend the occasional promotion like offering of accessories.

RANGING TABLE:

Frame/Colour:	Surface/Colour:	Product Size:	Packed mm	N.W. kg	G.W. kg	Reference:	RRP:
Grey Aluminium	White ceramic steel	600x450	720x470x22	1,89	2,45	CR0401178	---
Grey Aluminium	White ceramic steel	900x600	1030x620x25	3,61	4,60	CR0601178	---
Grey Aluminium	White ceramic steel	1200x900	1330x920x25	6,96	8,81	CR0801178	---
Grey Aluminium	White ceramic steel	1200x1200	1330x1260x25	9,16	11,62	CR1701178	---
Grey Aluminium	White ceramic steel	1500x1000	1650x1050x25	9,54	12,02	CR0901178	---
Grey Aluminium	White ceramic steel	1500x1200	1650x1260x25	11,36	14,33	CR1001178	---

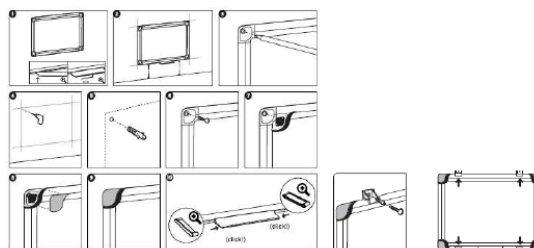
RANGING TABLE:

Frame/Colour:	Surface/Colour:	Product Size:	Packed mm	N.W. kg	G.W. kg	Reference:	RRP:
Grey Aluminium	White ceramic steel	1800x900	2000x94x25	10,30	12,93	CR1101178	---
Grey Aluminium	White ceramic steel	1800x1200	2000x1260x25	13,56	17,05	CR1201178	---
Grey Aluminium	White ceramic steel	2000x1000	2200x1050x25	12,62	15,82	CR1301178	---
Grey Aluminium	White ceramic steel	2000x1200	2200x1260x25	13,20	16,40	CR1401178	---
Grey Aluminium	White ceramic steel	2400x1200	2590x1260x25	17,96	22,47	CR1501178	---
Grey Aluminium	White magnetic	600x450	720x470x22	1,55	2,10	MA0207178	---
Grey Aluminium	White magnetic	900x600	1030x620x25	2,93	3,91	MA0307178	---
Grey Aluminium	White magnetic	1200x900	1330x920x25	5,59	7,44	MA0507178	---
Grey Aluminium	White magnetic	1200x1200	1330x1260x25	7,33	9,79	MA3807178	---
Grey Aluminium	White magnetic	1500x1000	1650x1050x25	7,64	10,12	MA1507178	---
Grey Aluminium	White magnetic	1500x1200	1650x1260x25	9,07	12,05	MA1207178	---
Grey Aluminium	White magnetic	1800x900	2000x940x25	8,25	10,87	MA0707178	---
Grey Aluminium	White magnetic	1800x1200	2000x1260x25	10,82	14,30	MA2707178	---
Grey Aluminium	White magnetic	2000x1000	2200x1050x25	10,08	13,28	MA2207178	---
Grey Aluminium	White magnetic	2000x1200	2200x1260x25	11,00	14,30	MA2807178	---
Grey Aluminium	White magnetic	2400x1200	2590x1260x25	14,31	18,82	MA2107178	---
Grey Aluminium	White non-magnetic	600x450	720x470x22	1,93	2,48	MA0212178	---
Grey Aluminium	White non-magnetic	900x600	1030x620x25	3,68	4,67	MA0312178	---
Grey Aluminium	White non-magnetic	1200x900	1330x920x25	7,10	8,95	MA0512178	---
Grey Aluminium	White non-magnetic	1200x1200	1330x1260x25	9,35	11,81	MA3812178	---
Grey Aluminium	White non-magnetic	1500x1000	1650x1050x25	9,74	12,22	MA1512178	---
Grey Aluminium	White non-magnetic	1500x1200	1650x1260x25	11,59	14,57	MA1212178	---
Grey Aluminium	White non-magnetic	1800x900	2000x940x25	10,51	13,14	MA0712178	---
Grey Aluminium	White non-magnetic	1800x1200	2000x1260x25	13,84	17,33	MA2712178	---
Grey Aluminium	White non-magnetic	2000x1000	2200x1050x25	12,88	16,08	MA2212178	---
Grey Aluminium	White non-magnetic	2000x1200	2200x1260x25	13,40	16,90	MA2812178	---
Grey Aluminium	White non-magnetic	2400x1200	2590x1260x25	17,95	22,30	MA2112178	---

TECHNICAL DETAILS

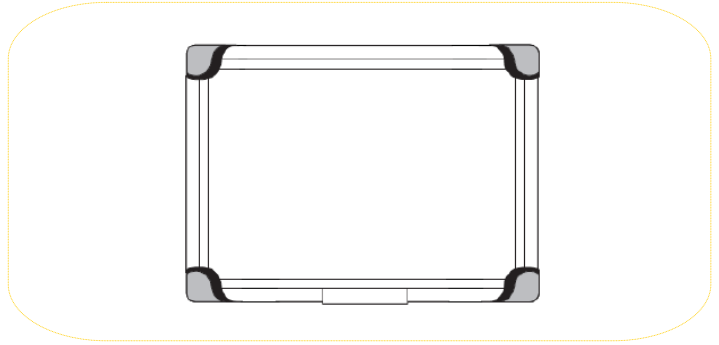
COMPOSITION:

- Aluminium frame
- Plastic corners with caps
- Wooden based core with ceramic steel surface, magnetic or white melamine on chipboard
- 2 year warranty (for magnetic or melamine surfaces)
- 25 year warranty (for ceramic steel surface)



CERTIFICATION AND LEGISLATION:

n/a

ILLUSTRATION:**SUGGESTED ADVERT:****Maya W Series Whiteboard****Simple and practical whiteboard with special waved corner**

- Enhanced presentation in a simple and easy way
- Slim anodised aluminium frame
- Available in three choices of surface
- Non magnetic dryerase surface
- Magnetic coated steel or premium ceramic surface
- Plastic pen tray simply clips onto frame in any position
- Wall fixings supplied

**WITHIN FAMILY:**

- Earth-It Whiteboard
- Provision Whiteboard
- Mastervision Whiteboard
- Bi-Office Accessories

QR CODE:

Author: Sandra Faria

Approval: *Sandra Gomes Faria*

Spec creation: 12-07-2013

Revision: 01
Date: 12.02.2014