

# Care and Maintenance of 3M™ Supplied Air Respirator System S200+

Regular checks and maintenance should be carried out on Supplied Air Respirator systems in order to maintain, optimise the effective lifetime of the system and avoid the additional cost of replacement.



## Before Use

### Mask

- 1 | Check the facepiece for cracks, tears and dirt. Be certain that the facepiece, especially the face seal area is not distorted. The materials must be pliable not stiff.
- 2 | Examine the inhalation valves for cracks or tears. Lift valves and inspect valve seat for dirt or cracks.
- 3 | Ensure that the headstrap is intact and has good elasticity.
- 4 | Examine all plastic parts for signs of cracking or fatigue.
- 5 | If using a full face mask, check the visor for excessive scratching, cracks or discolouration.
- 6 | Check that the filter (if fitted) is of the correct type, in date and properly fitted.



### Regulator and Breathing Tube

- 1 | Examine the Breathing tube for cracks, tears and dirt. Be certain that the breathing tube is not distorted or kinked. The tube must be pliable not stiff.
- 2 | Examine the regulator housing and all plastic parts for signs of cracking or fatigue.
- 3 | Examine the couplings for signs of wear or other damage.



### Compressed Air Supply Tube

- 1 | Examine the supply tube for cracks, tears and dirt. Be certain that the supply tube is not distorted or kinked. The tube must be pliable not stiff.
- 2 | Examine the couplings for signs of wear or other damage.

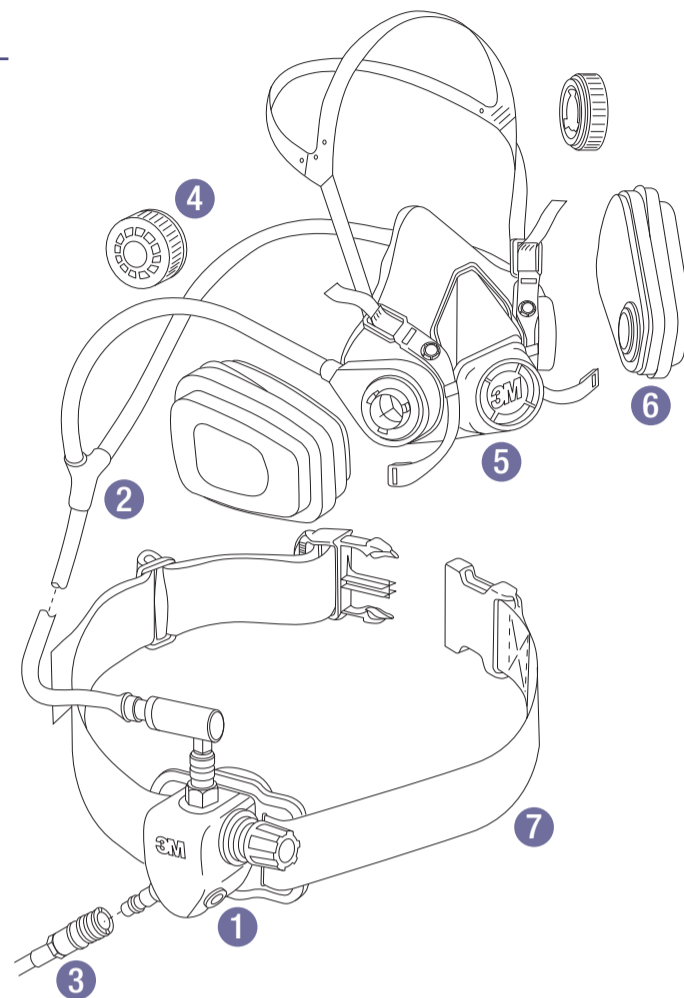
**Any damaged or defective parts should be replaced with original spare parts only.**



## After Use

- 1 | Cleaning is recommended after each use.
- 2 | Filters should be replaced regularly. The frequency of change is dependant on use time and concentration of contaminant.
- 3 | The regulator should be cleaned using a damp cloth with a mild solution of liquid household soap.
- 4 | The mask should be cleaned in accordance with the relevant user instruction.
- 5 | Store in a dry clean area away from direct sunlight, high temperatures, petrol and solvent vapours.

**Any damaged or defective parts should be replaced with original 3M spare parts.**



Item	Part Number	Description	
1	S-212	Regulator Unit	
2	S-222	Breathing Tube	
3	308-00-30P	10m Standard Duty CAST	
	308-00-31P	30m Standard Duty CAST	
	308-00-35P	7.5m Coiled CAST	
	308-00-72P	10m Anti-static, High Temp CAST	
4	C-340	Overflow Valves	
5	-	Range of Face Masks (6100, 6200, 6300, 6501, 6502, 6503, 6700, 6800, 6900, 7002, 7003, 7501, 7502, 7503, 7907S)	
	6	-	Range of Filters (See relevant User Information)
	7	301-00-62P5	Belt
	-	FCB-01	Flow Check Device
	-	530-12-81P3	Coupling Set
-	ACU-03	Aircare Unit (Wall mounted)	
-	ACU-04	Aircare Unit (Floor standing)	

**WARNING:** This is only intended as a guide and does not replace the User Instructions. The wearer is responsible for ensuring they have read and understand all requirements of the User Instructions before using your 3M™ Supplied Air Respirator System S-200+.

**Futher Information and Advice:** If you require additional guidance on the Care and Maintenance of your 3M Powered and Supplied Air Equipment, please contact the Helpline or your local 3M representative.