

# LED DESK LAMP SANA

LED lighting, illuminated work !



Silver

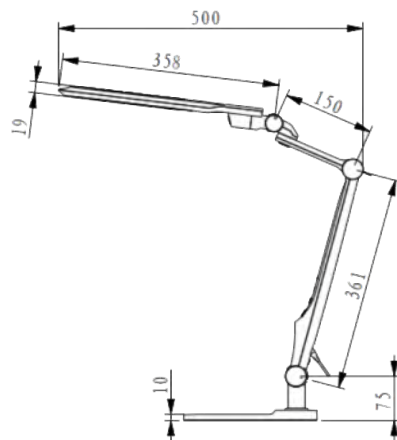


Black



Light intensity variation :  
touch from - to + on the arm

Colour temperature variation :  
2700°K (warm), 4000°K (neutral),  
6500°K (cold)



2700  
4000  
6500  
KELVINS

10  
WATTS

550  
LUMENS  
(lm)

E

## Lamp type

- Technologic collection
- Double articulated arm
- Swivel and reclining head
- Rotating base

## Lighting type

- Built-in LED 10W
- Light intensity 550 lumens (1000 lux)
- Light intensity variation : touch from - to + on the arm
- Colour temperature variation : 3 colours CCT mode :  
2700°K (warm), 4000°K (neutral), 6500°K (cold)

## Plus product

- Anti-reflective and anti-glare diffuser
- Possibility of changing the colour temperature and light intensity

## Product information

- Material : ABS + aluminium
- Switch on the arm
- Colours : black, silver, white
- Dimensions : H 59 cm, head (35 cm x 6 cm x 19 mm),  
base (15 cm x 22 cm x 10 mm)
- Works on mains supply
- Warranty : 2 years
- Energy class : E
- Lamp weight : 0,746 kg
- ENEC : Yes / CE : Yes

REFERENCE	DESIGNATION	PRICE
LBTSAN.01	LED DESK LAMP SANA BLACK	
LBTSAN.13	LED DESK LAMP SANA WHITE	
LBTSAN.35	LED DESK LAMP SANA SILVER	