



**Acoustic panel screens wood**

Structure in MDF, beech finish, varnish, thickness 37mm  
 Panels in MDF, beech finish, varnish, thickness 3 mm  
 Acoustic foam, thickness 30 mm  
 Feet in steel, black epoxy finish, equipped with felt pads

**Dimensions**

Model A : H.125 x W.79,5 x D.37 cm  
 Model B : H.140 x W.79,5 x D.37 cm  
 Model C : H.180 x W.79,5 x D.37 cm

**Logistics :**

Shipped flat

**Plus products :**

- adjust your spaces to suit your needs
- juxtapose the panels without limits !

**MODELS**



\* Configuration examples : panel + pack of 2 feet

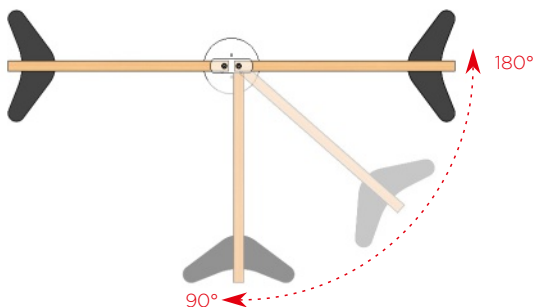
	REFERENCE	DESIGNATION	PRICE
PANEL	PAB125.23	ACOUSTIC PANEL WOOD H 125	
	PAB140.23	ACOUSTIC PANEL WOOD H 140	
	PAB180.23	ACOUSTIC PANEL WOOD H 180	
LEGS	PIPAX2.01	PACK OF 2 FEET FOR ACOUSTIC PANEL	
	KJMP	JUNCTION KIT ACOUSTIC MULTIPANELS	

Junction of 2 panel screens



EXAMPLE :

2 ACOUSTIC PANELS  
+ PACK OF 2 FEET  
+ 1 JUNCTION KIT

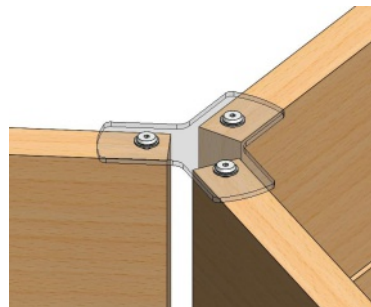


Junction of 3 panel screens



EXAMPLE :

3 ACOUSTIC PANELS  
+ 2 PACKS OF 2 FEET  
+ 1 JUNCTION KIT



Junction of 4 panel screens



EXAMPLE :

4 ACOUSTIC PANELS  
+ 2 PACKS OF 2 FEET  
+ 1 JUNCTION KIT

