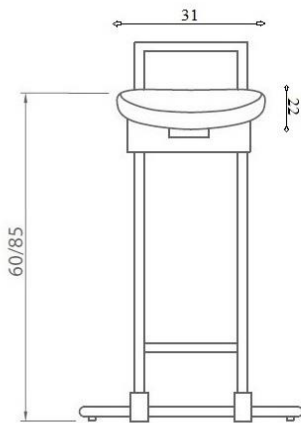


PAA

FEATURES:

- Black elastomer seat
- Fixed (not rotating)
- Manual lifting
- Seat inclination adjustment
- Metal base painted in black
- Non-slip floor plugs
- Minimum height 60 cm., maximum 85 cm. (from floor to seat)

DIMENSIONS:



PA-A

