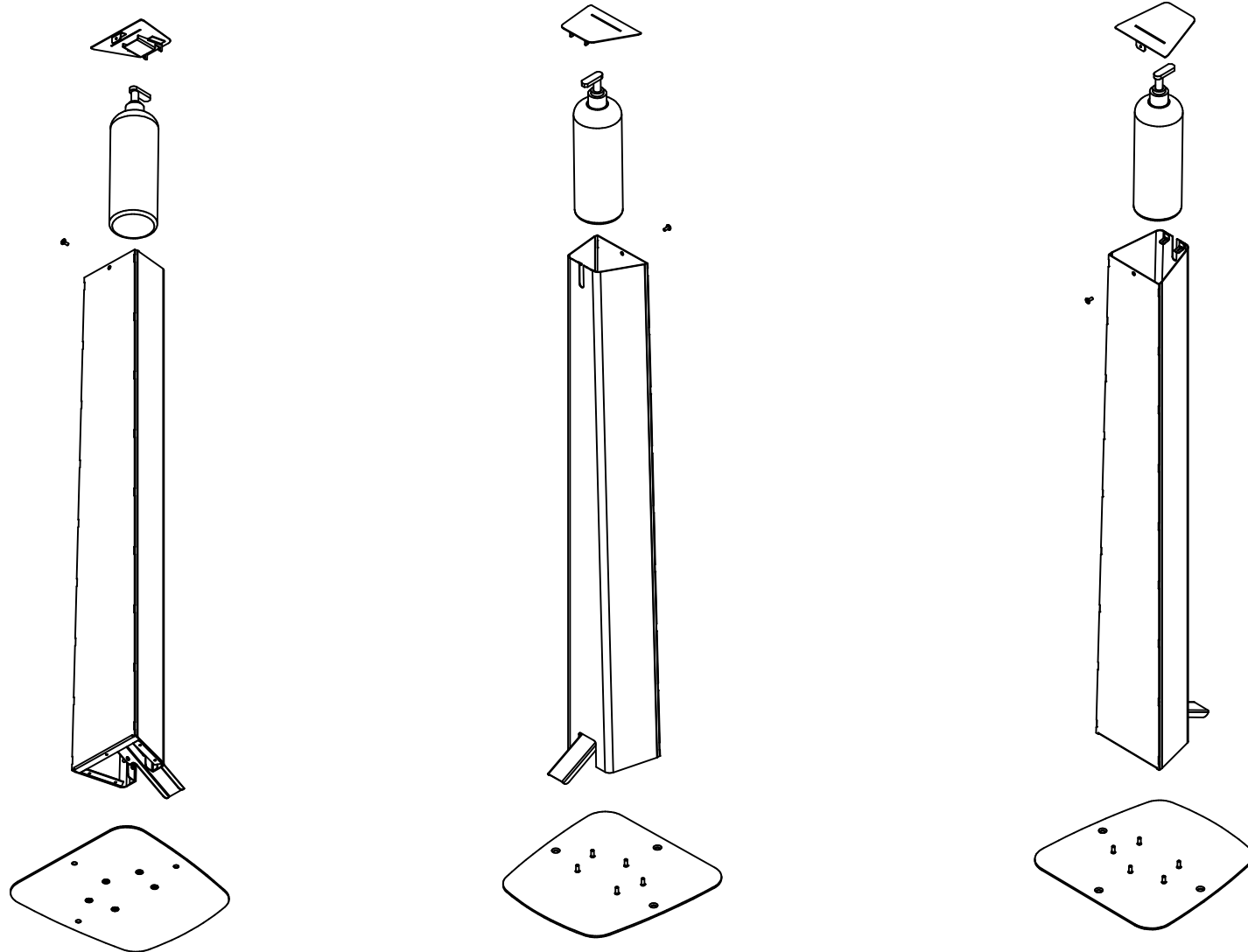
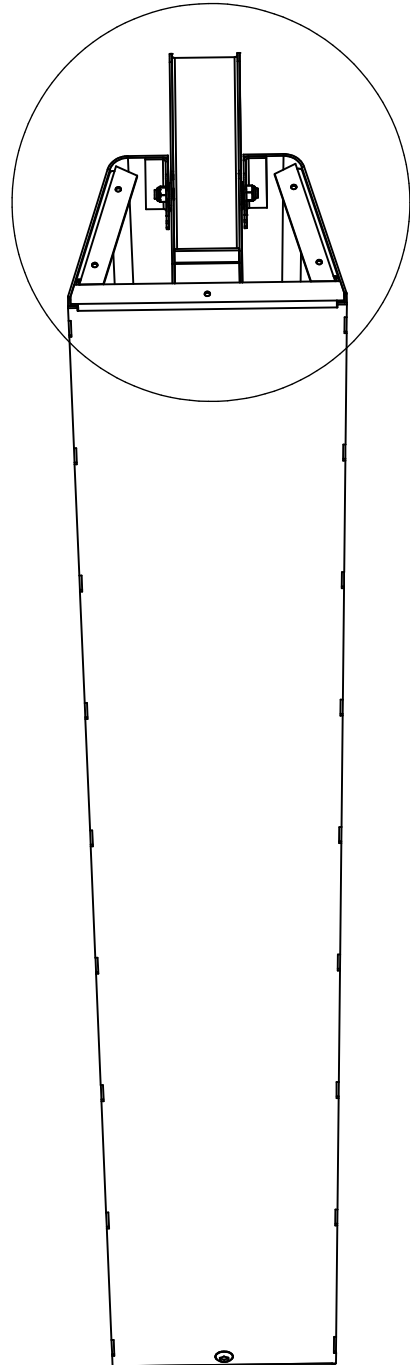


Designed by	Date 15/5/2563	Approved by	Date	Part Sheet HYDRO GEL DISPENSER
				การประกอบ
				Model 005 HYDRO GEL DISPENSER
Customer			Edition 01	Sheet 1

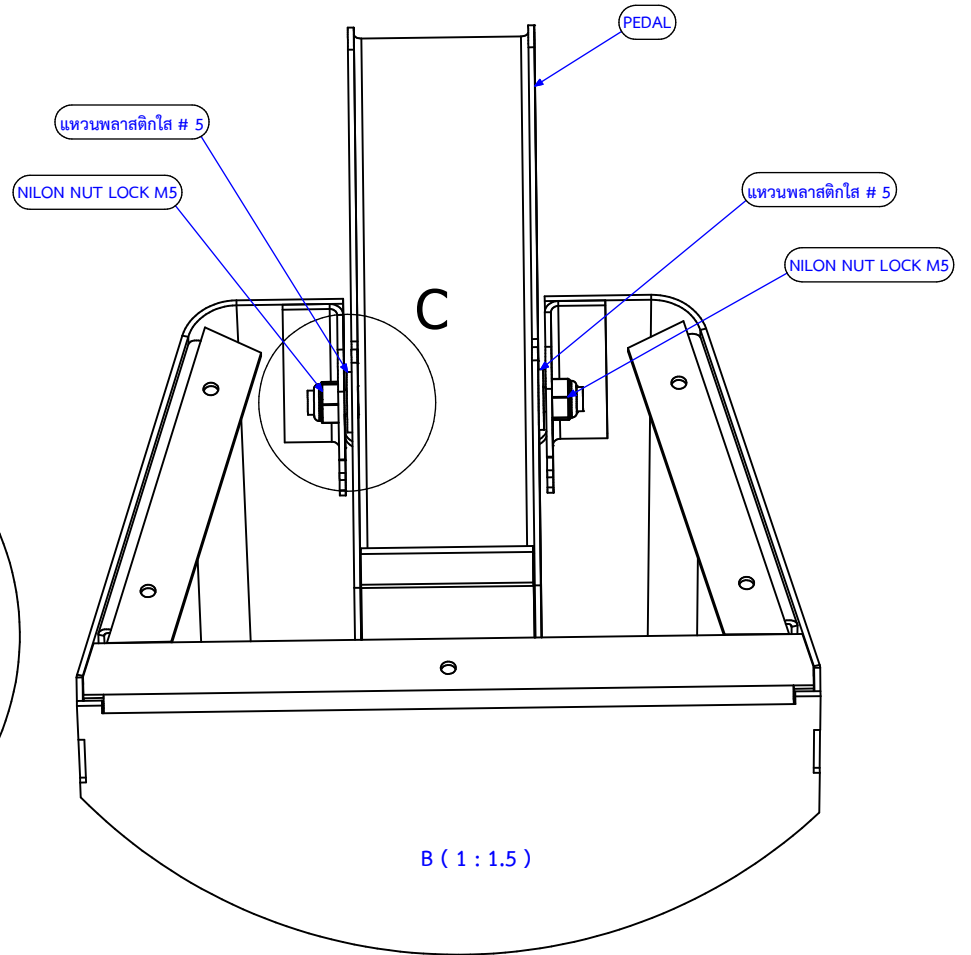
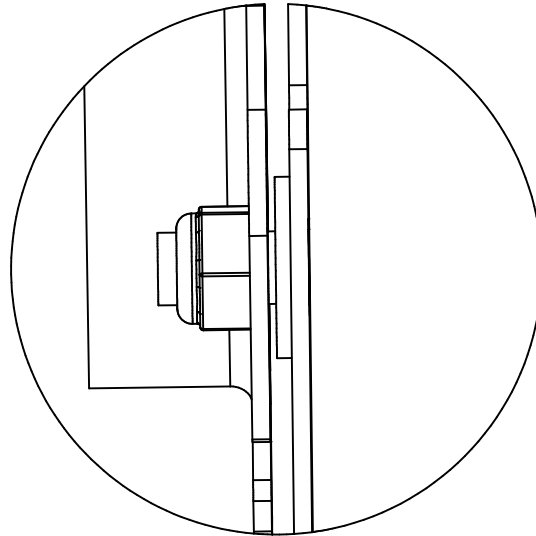


Designed by	Date	Approved by	Date	Part Sheet
	15/5/2563			HYDRO GEL DISPENSER
				การประกอบ
				Model
				005 HYDRO GEL DISPENSER
Customer			Edition	Sheet
			01	2

B



C (2:1)



Designed by	Date	Approved by	Date	Part Sheet
	15/5/2563			HYDRO GEL DISPENSER
			Model	
			005 HYDRO GEL DISPENSER	
			Customer	Edition
				01
			Sheet	3